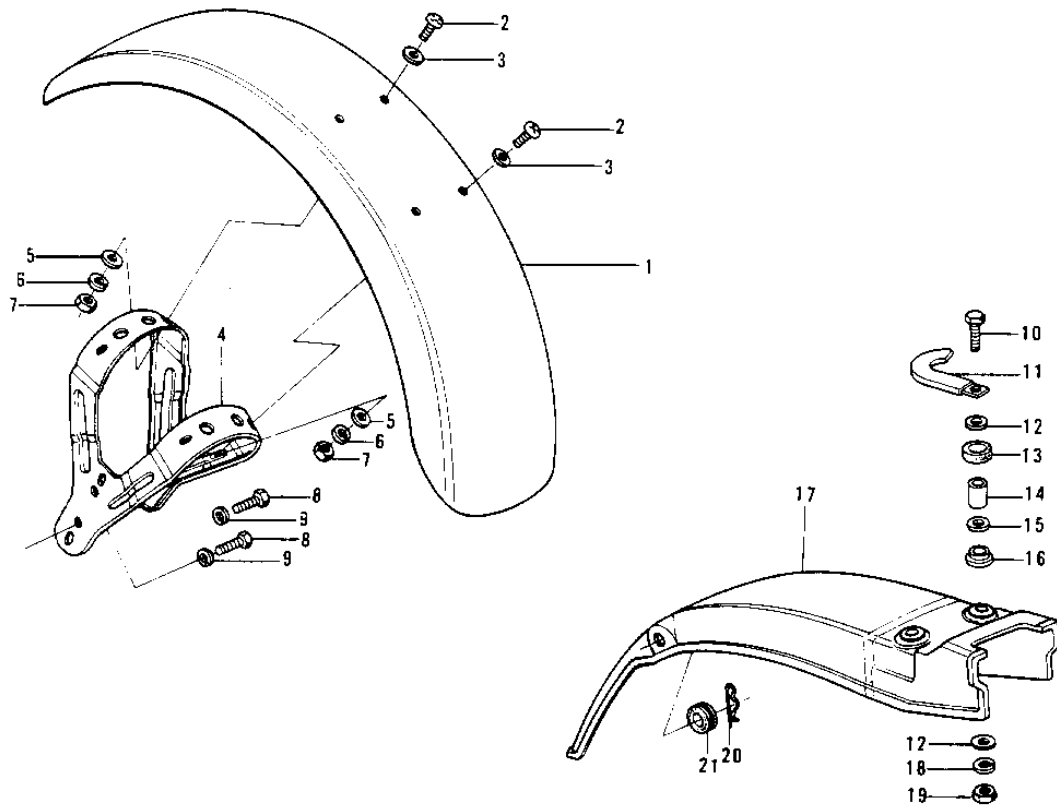


## 1976 KH400-A3 PARTS DIAGRAM

### FENDERS



## 1976 KH400-A3 PARTS LIST

### FENDERS

ITEM NAME	PART NUMBER	QUANTITY
FENDER-FR (Ref # 1)	35004-084	1
SCREW PAN HEAD 6X14 (Ref # 2)	220E0614	1
WASHER-PLAIN,6MM (Ref # 3)	411D0600	1
BRACE,FRONT FENDER (Ref # 4)	35009-028	1
WASHER PLAIN 6MM (Ref # 5)	411B0600	1
WASHER SPRING 6MM (Ref # 6)	461F0600	2
NUT 6MM (Ref # 7)	311B0600	4
BOLT-SMALL-UPSET,8X16 (Ref # 8)	115G0816	2
WASHER SPRING 8MM (Ref # 9)	461F0800	1
BOLT 6X35 (Ref # 10)	110R0635	2
CLAMP,HARNESS (Ref # 11)	92037-113	1
WASHER,PLAIN,7MM (Ref # 12)	92022-228	1
DAMPER RUBBER,RR FEND (Ref # 13)	92075-121	1
COLLAR,REAR FENDER (Ref # 14)	92027-162	1
COLLAR (Ref # 14)	92027-241	1
WASHER,PLAIN,7MM (Ref # 15)	92022-227	1
DAMPER RUBBER,RR FEND (Ref # 16)	92075-133	1
FENDER-RR (Ref # 17)	35022-099	1
COTTER PIN (Ref # 20)	92041-003	1
DAMPER RUBBER (Ref # 21)	92075-105	1