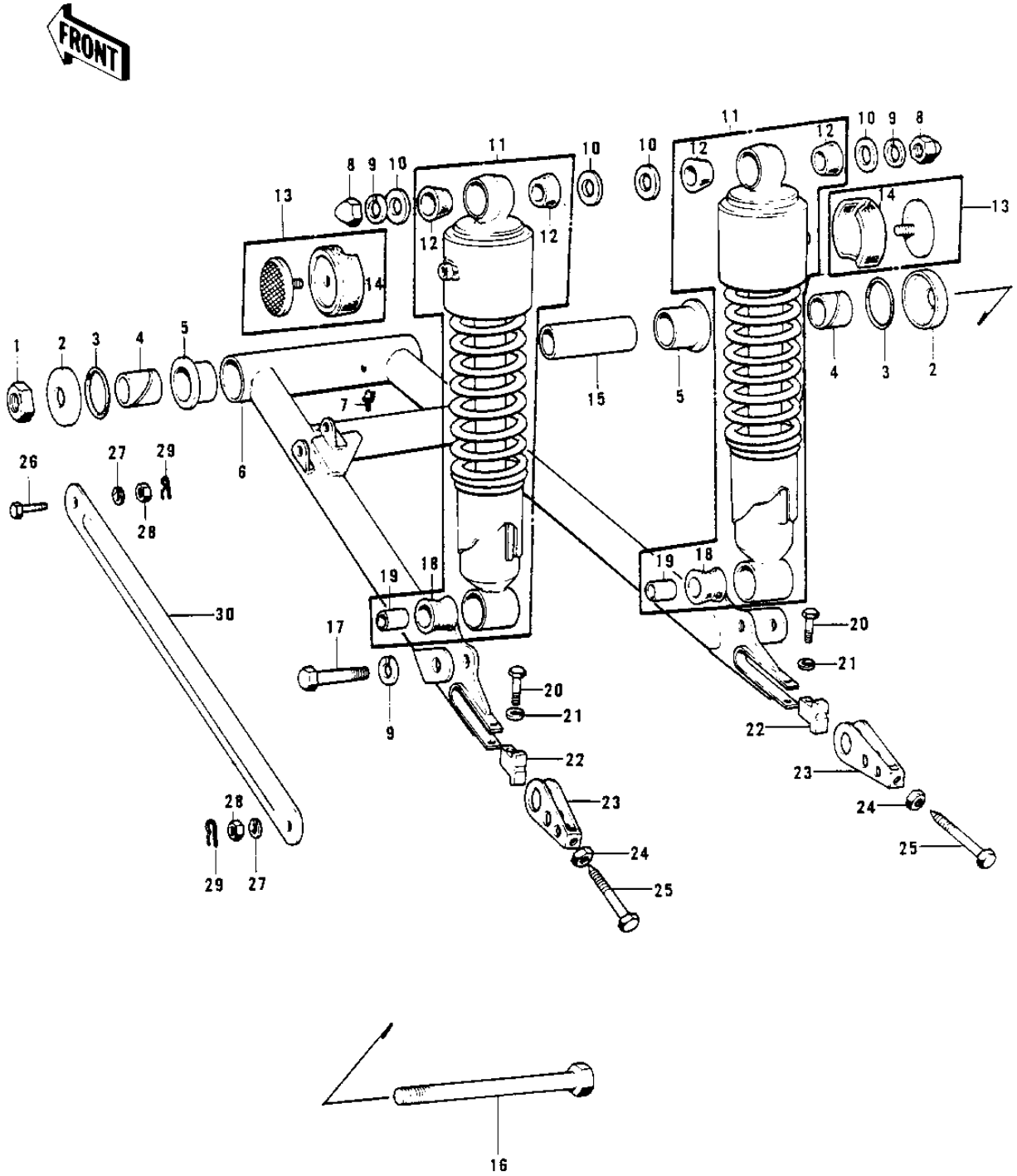


1976 KH400-A3 PARTS DIAGRAM

SWING ARM/SHOCK ABSORBERS



1976 KH400-A3 PARTS LIST

SWING ARM/SHOCK ABSORBERS

| ITEM NAME | PART NUMBER | QUANTITY |
|----------------------------------|-------------|----------|
| NUT-LOCK,14MM (Ref # 1) | 92019-011 | 1 |
| CAP,SWING ARM (Ref # 2) | 33035-007 | 1 |
| "O" RING,30MM (Ref # 3) | 671B2530 | 1 |
| SLEEVE-SWING ARM,SHRT (Ref # 4) | 33034-013 | 1 |
| BUSHING-SWING ARM (Ref # 5) | 33033-009 | 1 |
| ARM-COMP-SWING (Ref # 6) | 33001-1089 | 2 |
| GREASE NIPPLE (Ref # 7) | 92005-002 | 1 |
| NUT SHOCK ABSORBER (Ref # 8) | 92020-003 | 1 |
| WASHER SPRING 10MM (Ref # 9) | 461F1000 | 2 |
| WASHER,PLAIN,10MM (Ref # 10) | 92022-246 | 1 |
| SHOCK ABSBR RR (Ref # 11) | 45014-110 | 1 |
| BUSH SHCK ABS RUBBER (Ref # 12) | 45017-001 | 1 |
| REFLECTOR,REFLEX,REAR (Ref # 13) | 28001-030 | 1 |
| DAMPER RUBBER,REFLEX (Ref # 14) | 28016-003 | 1 |
| SLEEVE-SWING ARM,LONG (Ref # 15) | 33034-012 | 1 |
| SHAFT-SWING ARM PIVOT (Ref # 16) | 33032-037 | 1 |
| BOLT HEX HEAD 10X35 (Ref # 17) | 113N1035 | 1 |
| BUSHING,SHCK ABS RUB (Ref # 18) | 45017-018 | 1 |
| BUSH SHCK ABS PVT SFT (Ref # 19) | 45016-003 | 1 |
| BOLT,FLANGED,8X35 (Ref # 20) | 92001-1577 | 2 |
| WASHER SPRING 8MM (Ref # 21) | 461F0800 | 1 |
| STOPPER,CHAIN ADJUST (Ref # 22) | 33044-002 | 1 |
| ADJUSTER,CHAIN (Ref # 23) | 33040-056 | 1 |
| NUT 8MM (Ref # 24) | 312B0800 | 1 |
| BOLT,8X50 (Ref # 25) | 92001-1399 | 2 |
| BOLT (Ref # 26) | 92003-096 | 1 |
| NUT,10MM (Ref # 28) | 314B1000 | 2 |
| PIN,SNAP (Ref # 29) | 554A0800 | 1 |
| TORQUE LINK-RR BRAKE (Ref # 30) | 43007-031 | 1 |