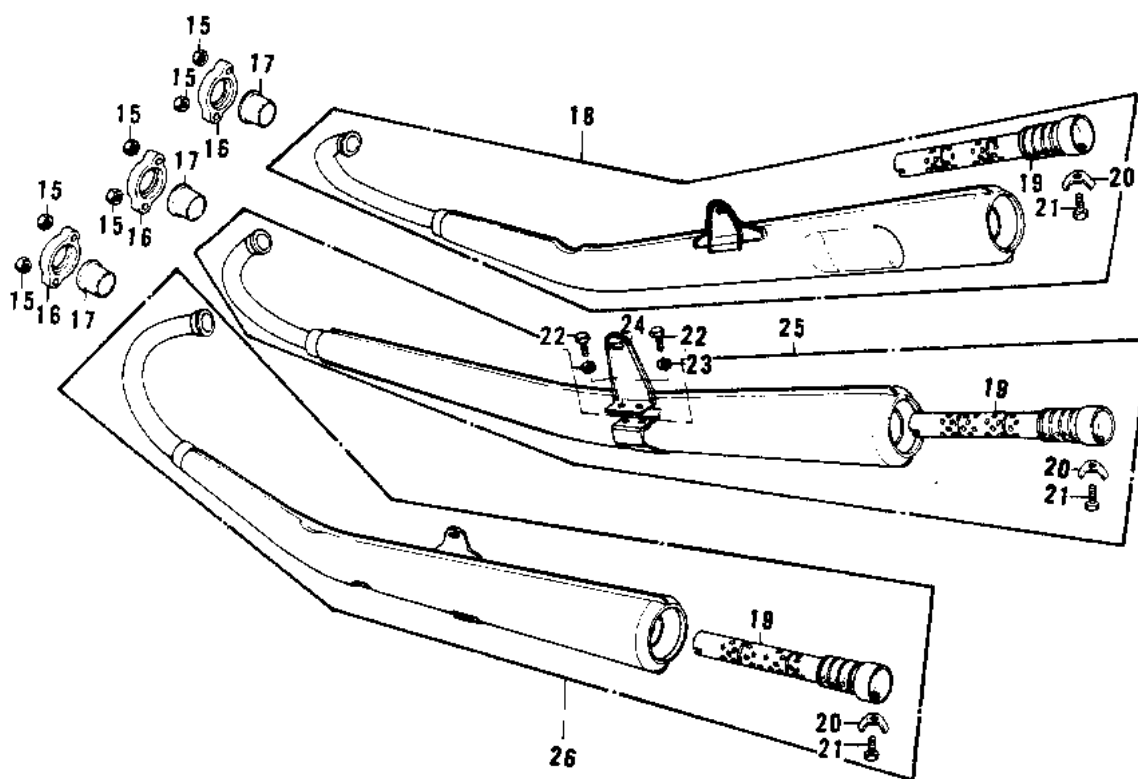
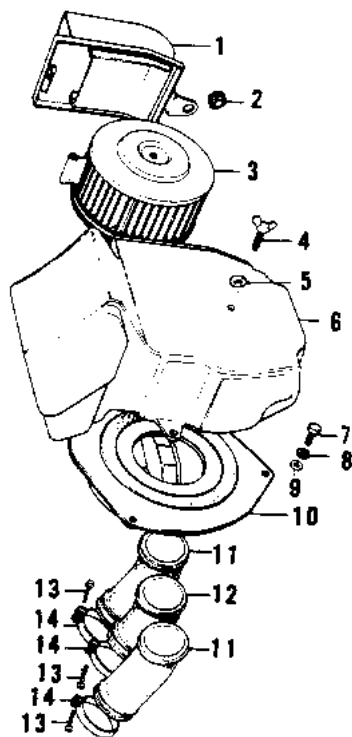


1977 KH400-A4 PARTS DIAGRAM

AIR CLEANERS/MUFFLERS



FRONT

1977 KH400-A4 PARTS LIST

AIR CLEANERS/MUFFLERS

ITEM NAME	PART NUMBER	QUANTITY
CAP,AIR CLEANER (Ref # 1)	11012-056	1
GROMMET (Ref # 2)	92071-056	1
ELEMENT,AIR CLNR (Ref # 3)	11013-052	1
BOLT,CLNR ELEMENT (Ref # 4)	92003-199	1
WASHER-PLAIN (Ref # 5)	92022-021	1
BODY,AIR CLEANER (Ref # 6)	11011-051	1
BOLT-UPSET,6X20 (Ref # 7)	112G0620	1
WASHER SPRING 6MM (Ref # 8)	461F0600	1
WASHER PLAIN 6MM (Ref # 9)	411B0600	1
BODY,AIR CLEANER (Ref # 10)	11011-052	1
PIPE-AIR INLT,R.H&L.H (Ref # 11)	11015-024	1
PIPE-AIR INLET,CENTER (Ref # 12)	11015-025	1
SCREW-PAN-CROS,6X35,B (Ref # 13)	220C0635	1
CLAMP (Ref # 14)	92037-1326	1
NUT,LOCK,8MM (Ref # 15)	92017-013	1
HOLDER,EXHAUST PIPE (Ref # 16)	18069-054	1
INSERT,EXH PIPE HLDR (Ref # 17)	18070-011	1
MUFFLER ASSY,R.H. (Ref # 18)	18001-209	2
BAFFLE TUBE (Ref # 19)	18033-097	1
WASHER LOCK 6MM (Ref # 20)	92024-016	1
BOLT-UPSET,6X12 (Ref # 21)	112G0612	1
BOLT-SMALL-UPSET,8X16 (Ref # 22)	115G0816	1
WASHER SPRING 8MM (Ref # 23)	461F0800	1
BRACKET,MUFFLER (Ref # 24)	18061-042	1
MUFFLER ASSY,CENTER (Ref # 25)	18001-208	2
MUFFLER ASSY,L.H. (Ref # 26)	18001-207	2