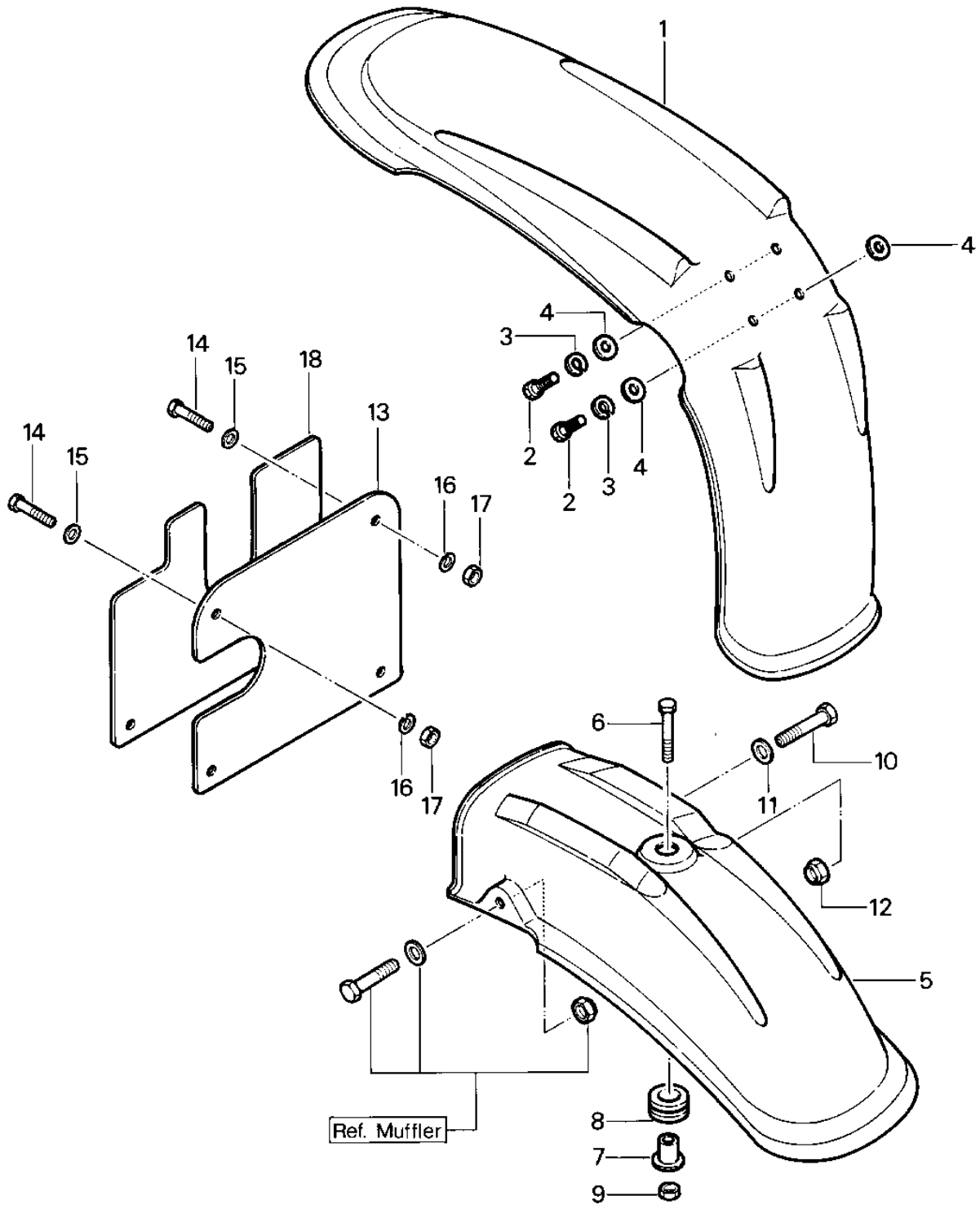


1979 KDX400 PARTS DIAGRAM

FENDERS



1979 KDX400 PARTS LIST

FENDERS

ITEM NAME	PART NUMBER	QUANTITY
FENDER-FR,LIME GREEN (Ref # 1)	35004-4001-7F	1
BOLT-UPSET (Ref # 2)	112G0618	1
WASHER SPRING 6MM (Ref # 3)	461F0600	2
WASHER 6.5X20X1.6T (Ref # 4)	92022-125	1
FENDER-RR,L.GREEN (Ref # 5)	35022-4001-7F	1
BOLT-UPSET,6X20 (Ref # 6)	112G0620	1
COLLAR (Ref # 7)	92027-194	1
DAMPER RUBBER,CASE (Ref # 8)	92075-222	1
NUT (Ref # 9)	92019-008	1
BOLT (Ref # 10)	114G0836	1
WASHER CHNG DRUM LEV (Ref # 11)	92022-091	1
NUT,LOCK,8MM (Ref # 12)	92015-1124	1
FLAP,FENDER (Ref # 13)	35019-4001	1
BOLT-UPSET,6X12 (Ref # 14)	112G0612	1
WASHER-PLAIN,7MM (Ref # 15)	92022-240	1
NUT 6MM (Ref # 17)	311B0600	1