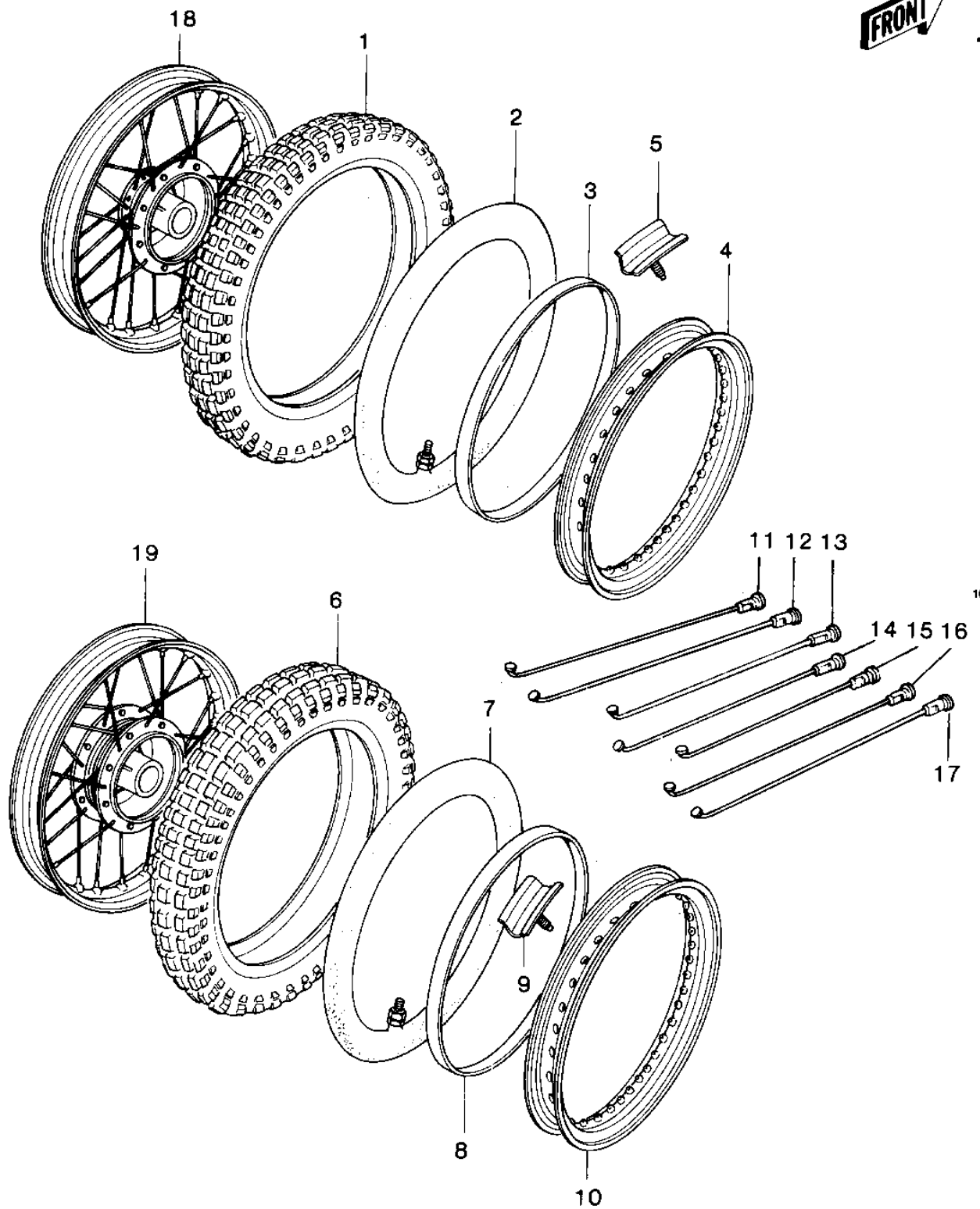


1979 KDX400 PARTS DIAGRAM

WHEELS/TIRES



1979 KDX400 PARTS LIST

WHEELS/TIRES

| ITEM NAME | PART NUMBER | QUANTITY |
|----------------------------------|-------------|----------|
| TIRE 300-21 K190 F (Ref # 1) | 41002-4006 | 1 |
| TUBE,2.75/3.70-21 (Ref # 2) | 41022-1021 | 1 |
| BAND,RIM,3.00-21 (Ref # 3) | 41023-1001 | 1 |
| RIM,FRONT,1.60X21 (Ref # 4) | 41025-4001 | 1 |
| PROTECTOR,BEAD 1.60A (Ref # 5) | 41024-010 | 1 |
| TIRE 450-18 K190 R (Ref # 6) | 41002-4007 | 1 |
| TUBE 450/475/550-18 (Ref # 7) | 41022-1015 | 1 |
| BAND,RIM,4.00/5.10-18 (Ref # 8) | 41023-1006 | 1 |
| STOPPER,RIM,2.50 (Ref # 9) | 41024-4001 | 1 |
| RIM,REAR,2.50X18 (Ref # 10) | 41025-4002 | 1 |
| SPOKE-ASY,FR INNER LH (Ref # 11) | 41027-5013 | 1 |
| SPOKE-ASY,FR RH (Ref # 12) | 41027-5014 | 1 |
| SPOKE-ASY,FR OUTER LH (Ref # 13) | 41028-5012 | 1 |
| SPOKE-ASY,RR INNER LH (Ref # 14) | 41027-5015 | 1 |
| SPOKE-ASY,RR INNER RH (Ref # 15) | 41027-5016 | 1 |
| SPOKE-ASY,RR OUTER LH (Ref # 16) | 41028-5013 | 1 |
| SPOKE-ASY,RR OUTER RH (Ref # 17) | 41028-5014 | 1 |
| WHEEL ASS'Y,FRONT (Ref # 18) | 41073-4001 | 1 |
| WHEEL ASS'Y,REAR (Ref # 19) | 41073-4002 | 1 |