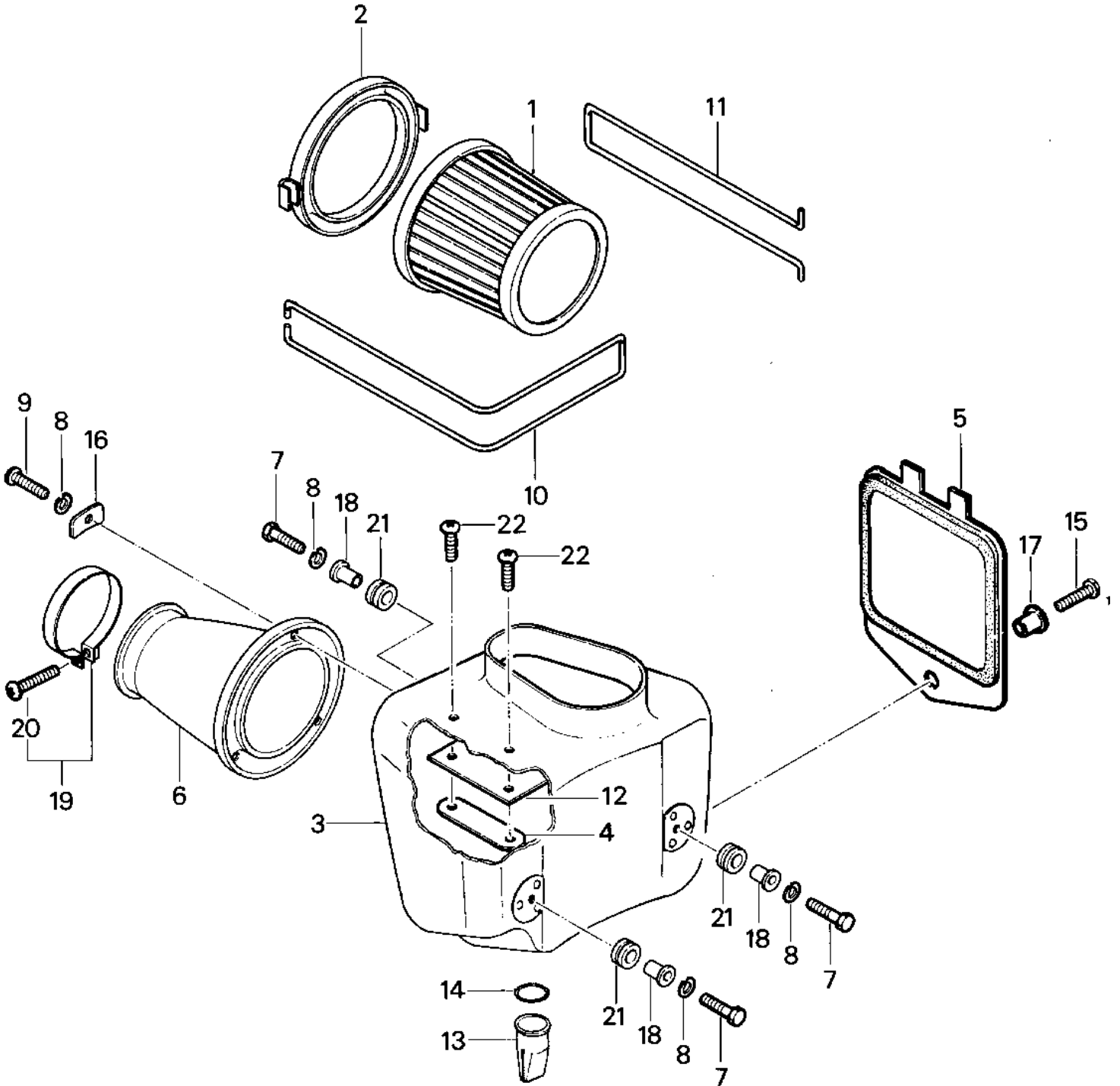


1980 KDX400 PARTS DIAGRAM

AIR CLEANER



1980 KDX400 PARTS LIST

AIR CLEANER

ITEM NAME	PART NUMBER	QUANTITY
AIR FILTER (Ref # 1)	11010-4001	1
CASE,AIR FILTER (Ref # 2)	11011-4001	1
CASE (Ref # 3)	11011-4002	1
PLATE, NUT (Ref # 4)	13169-4007	1
COVER, AIRBOX (Ref # 5)	14025-4004	1
DUCT (Ref # 6)	14073-4001	1
BOLT-UPSET (Ref # 7)	112G0625	3
WASHER SPRING 6MM (Ref # 8)	461F0600	6
SCREW PAN HEAD 6X16 (Ref # 9)	220B0616	3
HOOK (Ref # 10)	27012-4002	1
HOOK (Ref # 11)	27012-4005	1
FLAP, AIR BOX SHIELD (Ref # 12)	35019-4002	1
BOOT (Ref # 13)	49006-1012	1
"O" RING,20MM (Ref # 14)	670B2020	1
SCREW,6X20 (Ref # 15)	92009-1289	1
WASHER,PLAIN (Ref # 16)	92022-1018	3
COLLAR (Ref # 17)	92027-1045	1
COLLAR (Ref # 18)	92027-194	3
CLAMP-AIR CLEANER (Ref # 19)	92037-068	1
SCREW PAN HEAD 6X35 (Ref # 20)	220B0635	1
DAMPER RUBBER (Ref # 21)	92075-112	3
SCREW,6X14 (Ref # 22)	92009-1287	2