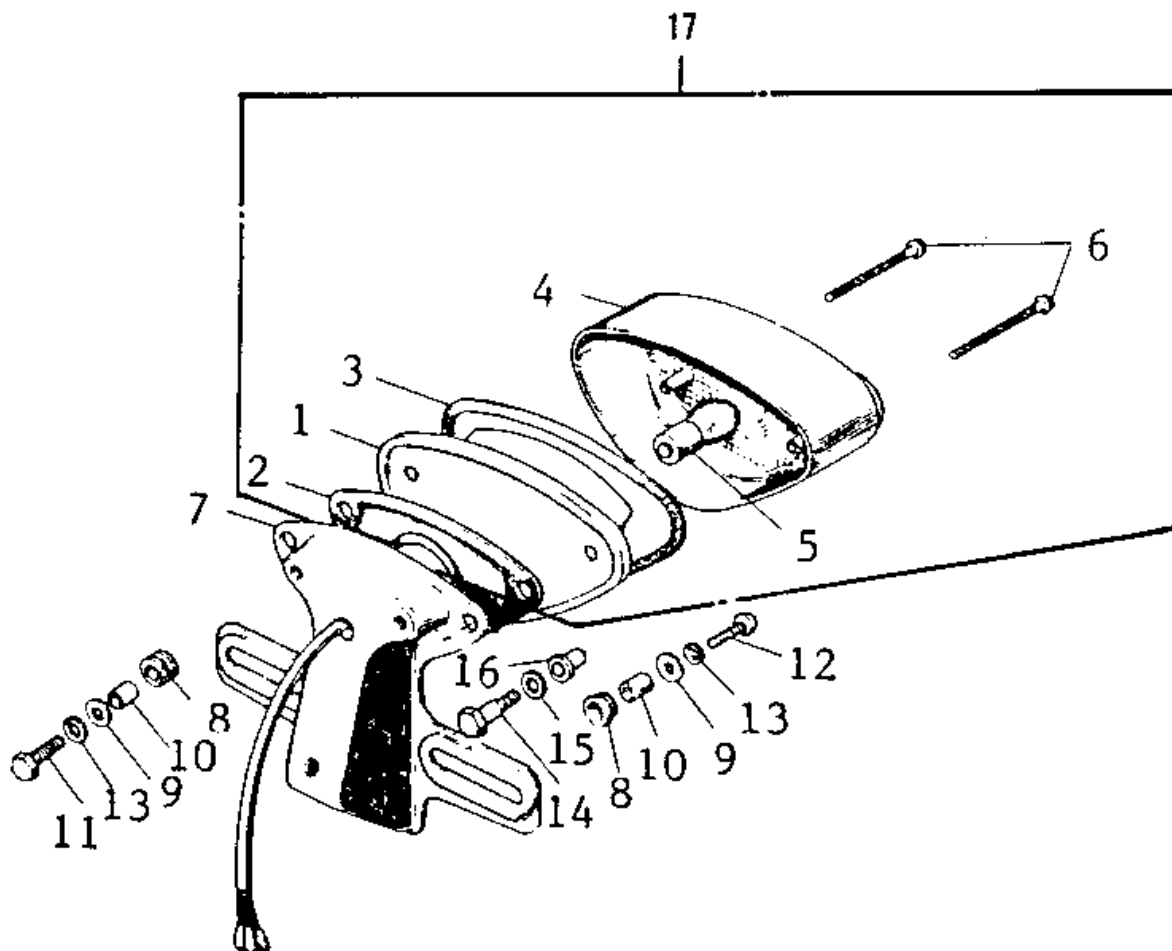


1973 Mach II PARTS DIAGRAM

TAILLIGHT (S2)



(S2)



1973 Mach II PARTS LIST

TAILLIGHT (S2)

ITEM NAME	PART NUMBER	QUANTITY
CASE-TAIL LAMP (Ref # 1)	23027-029	1
GASKET-TAIL LAMP CASE (Ref # 2)	23028-015	1
GASKET-TAIL LAMP LENS (Ref # 3)	23028-016	1
LENS-TAIL LAMP (Ref # 4)	23026-022	1
BULB,12V 32/3CP (Ref # 5)	92069-059	1
SCREW (Ref # 6)	220R0455	1
BKT-LICENSE PLT,BLACK (Ref # 7)	23036-012-21	1
DAMPER RUBBER (Ref # 8)	92075-112	1
WASHER 6.5X20X1.6T (Ref # 9)	92022-125	1
COLLAR 6.8X10X10.5 (Ref # 10)	92027-120	1
BOLT-UPSET,6X20 (Ref # 11)	112G0620	1
SCREW PAN HEAD 6X20 (Ref # 12)	220B0620	1
WASHER SPRING 6MM (Ref # 13)	461F0600	1
BOLT (Ref # 14)	92001-105	1
WASHER,8.5X20X1.6 (Ref # 15)	92022-1561	1
DAMPER RUBBER (Ref # 16)	92075-091	1
LAMP ASSY-TAIL (Ref # 17)	23025-044	1