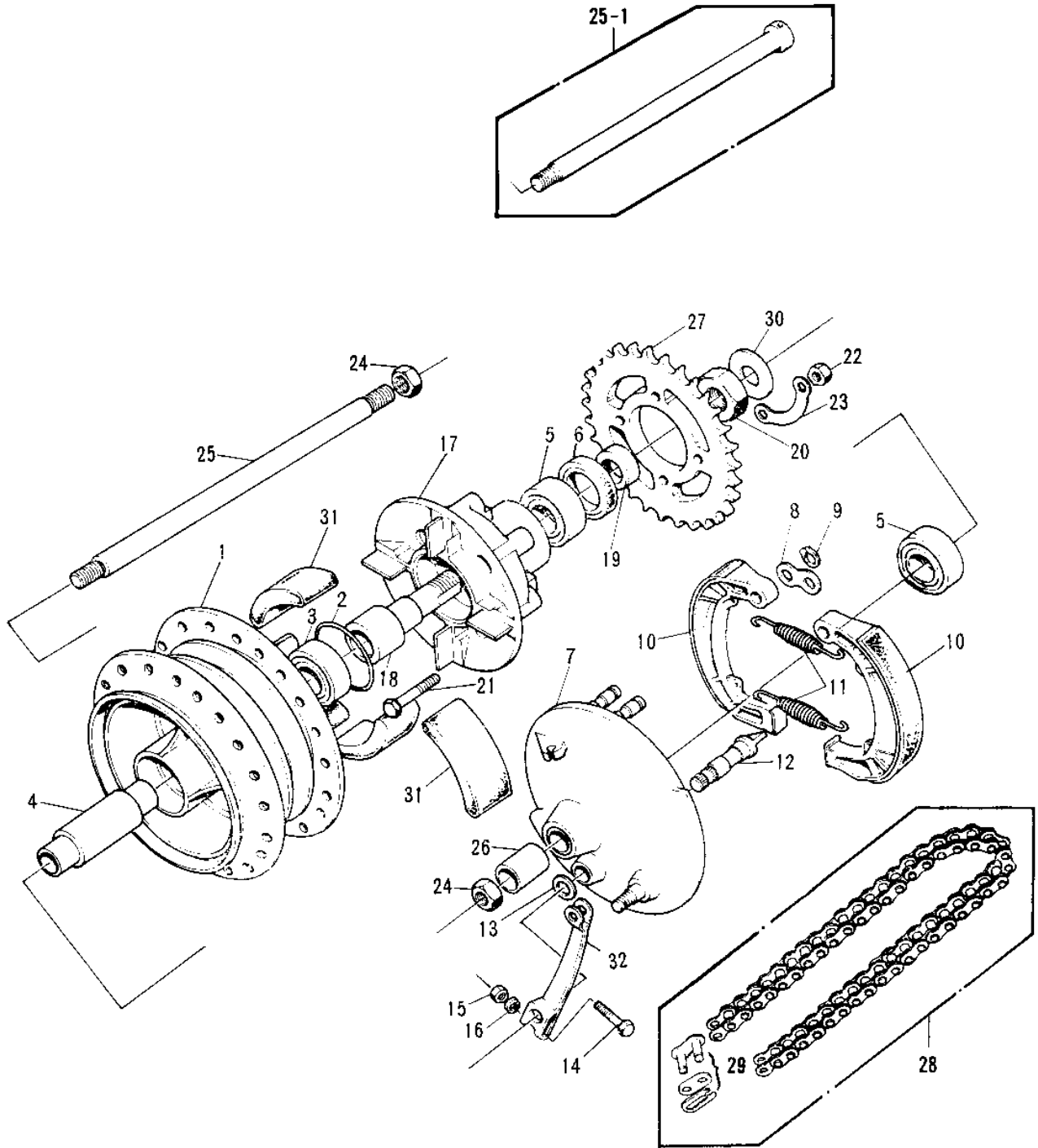


# 1973 Mach II PARTS DIAGRAM

REAR HUB/BRAKE/CHAIN

F  
-



**FRONT** 

## 1973 Mach II PARTS LIST

### REAR HUB/BRAKE/CHAIN

| ITEM NAME                        | PART NUMBER  | QUANTITY |
|----------------------------------|--------------|----------|
| DRUM ASSY REAR BRAKE (Ref # 1)   | 42005-009    |          |
| DRUM-ASSY,RR BRK (Ref # 1)       | 41034-5001   |          |
| "0" RING,60MM (Ref # 2)          | 671B2560     |          |
| BEARING BALL #6205 (Ref # 3)     | 601B6205     |          |
| SPACER RR HUB BEARING (Ref # 4)  | 42010-008    |          |
| BEARING BALL #6205Z (Ref # 5)    | 601B6205Z    |          |
| OIL SEAL WTC35527 (Ref # 6)      | 92052-006    |          |
| PANEL-ASY,RR BRK,BUFF (Ref # 7)  | 42006-007-80 |          |
| WASHER,BRAKE SHOE (Ref # 8)      | 41045-007    |          |
| CIRCLIP 14MM (Ref # 9)           | 480J1400     |          |
| SHOE REAR BRAKE (Ref # 10)       | 42019-003    |          |
| SPRING BRAKE SHOE (Ref # 11)     | 41049-003    |          |
| CAM SHAFT,REAR BRAKE (Ref # 12)  | 42026-015    |          |
| DUST SHIELD BRAKE CAM (Ref # 13) | 41051-001    |          |
| BOLT-UPSET,6X40 (Ref # 14)       | 112G0640     |          |
| NUT 6MM (Ref # 15)               | 311B0600     |          |
| WASHER PLAIN 6MM (Ref # 16)      | 410B0600     |          |
| COUPLING ASSY,RR HUB (Ref # 17)  | 42008-012    |          |
| SLEEVE REAR AXLE (Ref # 18)      | 42036-006    |          |
| COLLER RR AXLE SLEEVE (Ref # 19) | 42037-006    |          |
| NUT SLEEVE (Ref # 20)            | 42045-006    |          |
| BOLT-REAR SPROCKET (Ref # 21)    | 92003-087    |          |
| BOLT-REAR SPROCKET (Ref # 21)    | 92003-087    |          |
| NUT,10MM (Ref # 22)              | 314B1000     |          |
| WASHER SPROCKET LOCK (Ref # 23)  | 92088-005    |          |
| NUT,16MM (Ref # 24)              | 314B1600     |          |
| AXLE-REAR (Ref # 25)             | 42031-033    |          |
| AXLE-REAR (Ref # 25-1)           | 42031-033    |          |
| COLLAR REAR HUB R.H (Ref # 26)   | 42032-008    |          |

## 1973 Mach II PARTS LIST

### REAR HUB/BRAKE/CHAIN

| ITEM NAME                        | PART NUMBER | QUANTITY |
|----------------------------------|-------------|----------|
| REAR SPROCKET 43T (Ref # 27)     | 42041-102   |          |
| DR CHAIN 530X98 (Ref # 28)       | 92057-014   |          |
| CHAIN JOINT 530 (Ref # 29)       | 92058-008   |          |
| WASHER SLEEVE (Ref # 30)         | 42046-009   |          |
| DAMPER REAR HUB SHOCK (Ref # 31) | 42014-008   |          |
| LEVER,REAR BRAKE CAM (Ref # 32)  | 42029-037   |          |