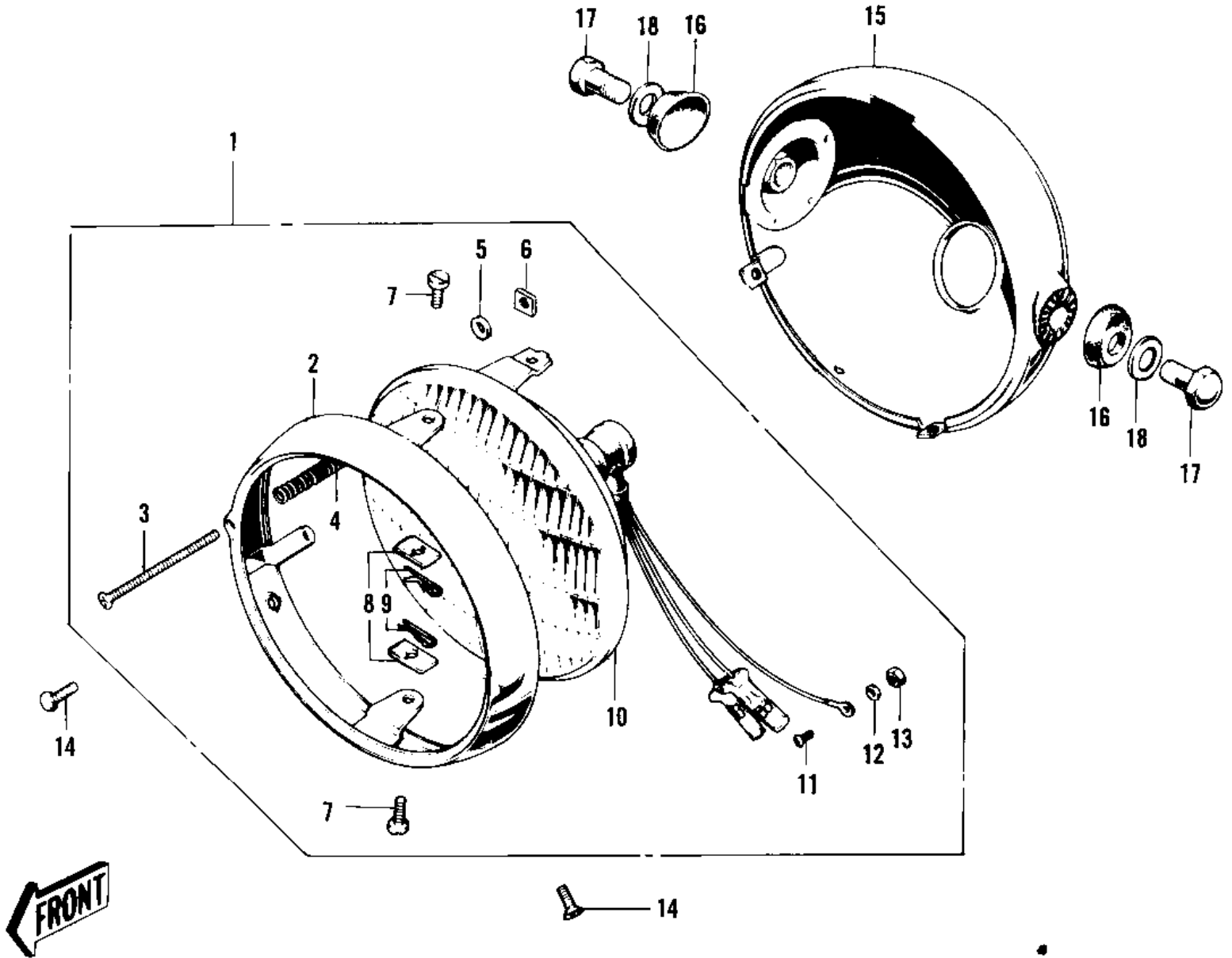


1970 Big Horn PARTS DIAGRAM

HEADLIGHT



1970 Big Horn PARTS LIST

HEADLIGHT

ITEM NAME	PART NUMBER	QUANTITY
LAMP UNIT-HEAD (Ref # 1)	23003-008	1
RIM HEAD LAMP (Ref # 2)	23006-014	1
SCREW FORCUS ADJUST (Ref # 3)	23019-021	1
SPRING FOCUS ADJUST (Ref # 4)	23014-005	1
WASHER (Ref # 5)	23021-004	1
NUT (Ref # 6)	23020-016	1
SCREW LENS UNIT FITT (Ref # 7)	23019-018	2
NUT LENS UNIT FITTING (Ref # 8)	23020-009	2
PIN LENS UNIT FITTING (Ref # 9)	23022-001	2
SEALED BEAM UNIT (Ref # 10)	23007-022	1
SCREW CNTSNK HD 3X6 (Ref # 11)	221B0306A	1
WASHER SPRING 3MM (Ref # 12)	461F0300	1
NUT-HEX (Ref # 13)	311B0300	1
SCREW OVL CNTSNK 5X10 (Ref # 14)	222E0510	2
BODY-HEAD LAMP (Ref # 15)	23005-027	1
BODY-HEAD LAMP,BLACK (Ref # 15)	23005-022-21	1
DAMPER RUBBER (Ref # 16)	92075-058	2
BOLT,HEX HEAD,10X25 (Ref # 17)	92007-045	2
BOLT,HEX HEAD,10X25 (Ref # 17)	92007-045	2
WASHER PLAIN 10MM (Ref # 18)	411B1000	2