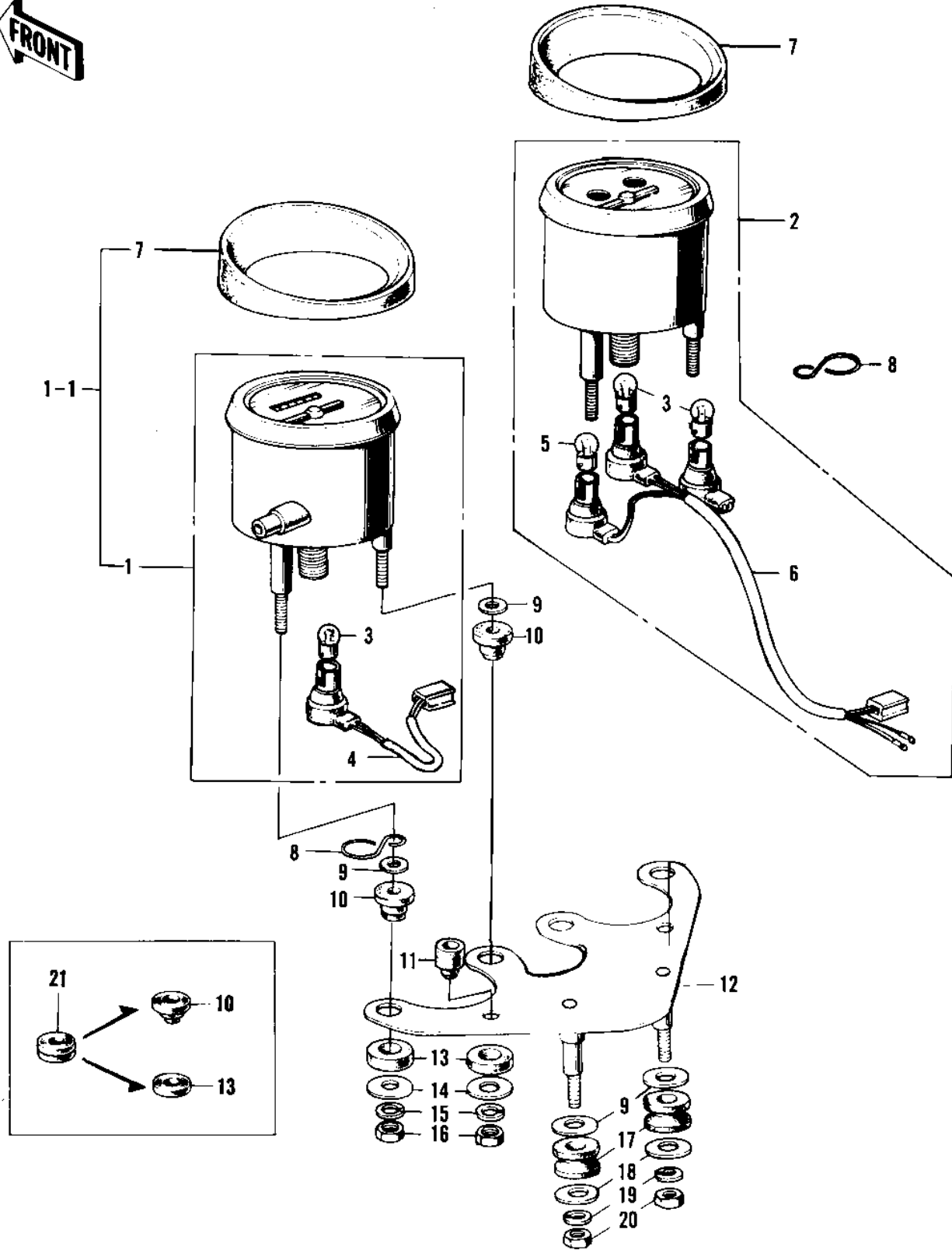


1970 Big Horn PARTS DIAGRAM

METERS



1970 Big Horn PARTS LIST

METERS

ITEM NAME	PART NUMBER	QUANTITY
SPEEDOMETER ASSY,MPH (Ref # 1)	25001-045	1
SPEEDOMETER ASSY,MPH (Ref # 1-1)	25001-045	AL
TACHOMETER ASSY (Ref # 2)	25015-009	1
BULB-6V 3W (Ref # 3)	92069-053	3
SOCKET-SPEEDOMETER (Ref # 4)	25011-015	1
BULB 6V 1.5W (Ref # 5)	92069-024	1
SOCKET-TACHOMETER (Ref # 6)	25011-016	1
COVER-SPEEDOMETER (Ref # 7)	25012-003	2
CLAMP CABLE (Ref # 8)	25022-002	2
WASHER PLAIN 8MM (Ref # 9)	411B0800	6
DAMPER RUBBER (Ref # 10)	92075-065	4
DAMPER RUBB SPEEDMETR (Ref # 11)	92075-035	2
BRACKET SPEEDOMETER (Ref # 12)	25008-009	1
DAMPER RUBBER (Ref # 13)	92075-066	4
WASHER PL 5.5X20X1.2 (Ref # 14)	92022-104	4
WASHER, SPRING, 5M/M (Ref # 15)	461F0500	4
NUT,5MM (Ref # 16)	311B0500	4
DAMPER RUBB SPEEDMETR (Ref # 17)	92075-024	2
WASHER 6.5X20X1.6T (Ref # 18)	92022-125	2
WASHER SPRING 6MM (Ref # 19)	461F0600	2
NUT 6MM (Ref # 20)	311B0600	2
DAMPER RUBB SPEEDMETR (Ref # 21)	92075-034	4