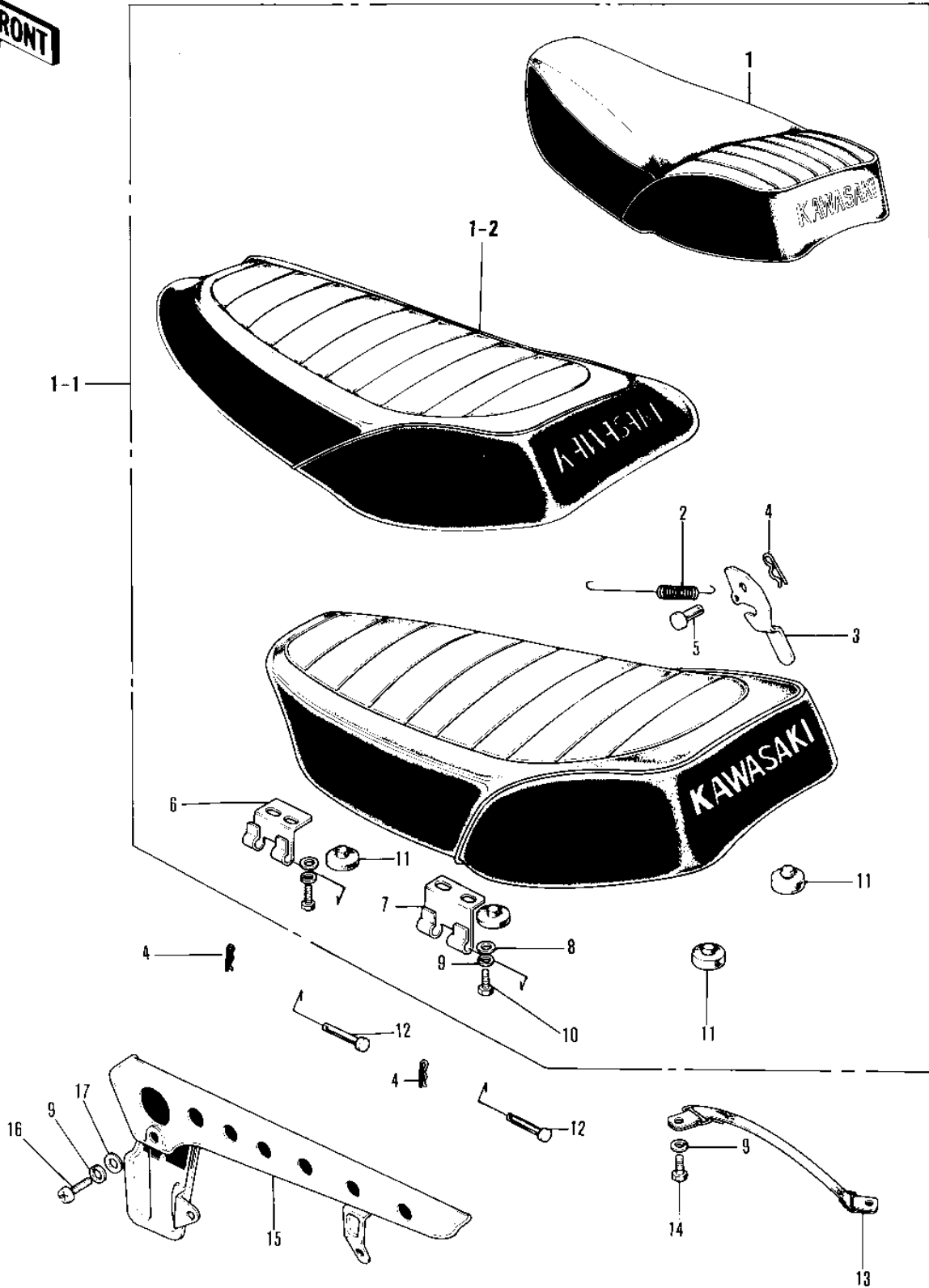


1970 Big Horn PARTS DIAGRAM

SEAT/CHAIN COVER



1970 Big Horn PARTS LIST

SEAT/CHAIN COVER

ITEM NAME	PART NUMBER	QUANTITY
SEAT-DUAL (Ref # 1)	53002-014	1
SEAT ASSY-DUAL (Ref # 1-1)	53002-033	1
COVER-DUAL SEAT (Ref # 1-2)	53003-003	1
SPRING,HOOK (Ref # 2)	53012-013	1
SPRING,HOOK (Ref # 2)	53012-013	1
HOOK (Ref # 3)	53008-008	1
COTTER PIN (Ref # 4)	92041-003	3
PIN DUAL SEAT PIVOT (Ref # 5)	53011-001	1
HINGE (Ref # 6)	53009-015	1
HINGE (Ref # 7)	53009-016	1
WASHER PLAIN 6MM (Ref # 8)	411B0600	4
WASHER SPRING 6MM (Ref # 9)	461F0600	6
BOLT-UPSET 6X14 (Ref # 10)	112B0614	4
DAMPER RUBB DUAL SEAT (Ref # 11)	92075-023	6
PIN (Ref # 12)	53011-002	2
BAND-SEAT (Ref # 13)	92072-028	1
BOLT,6X10 (Ref # 14)	112G0610	1
CASE-CHAIN (Ref # 15)	36014-030	1
CASE-CHAIN (Ref # 15)	36014-030-21	1
SCREW PAN HEAD 6X14 (Ref # 16)	220B0614	1
WASHER 6.5X20X1.6T (Ref # 17)	92022-125	1