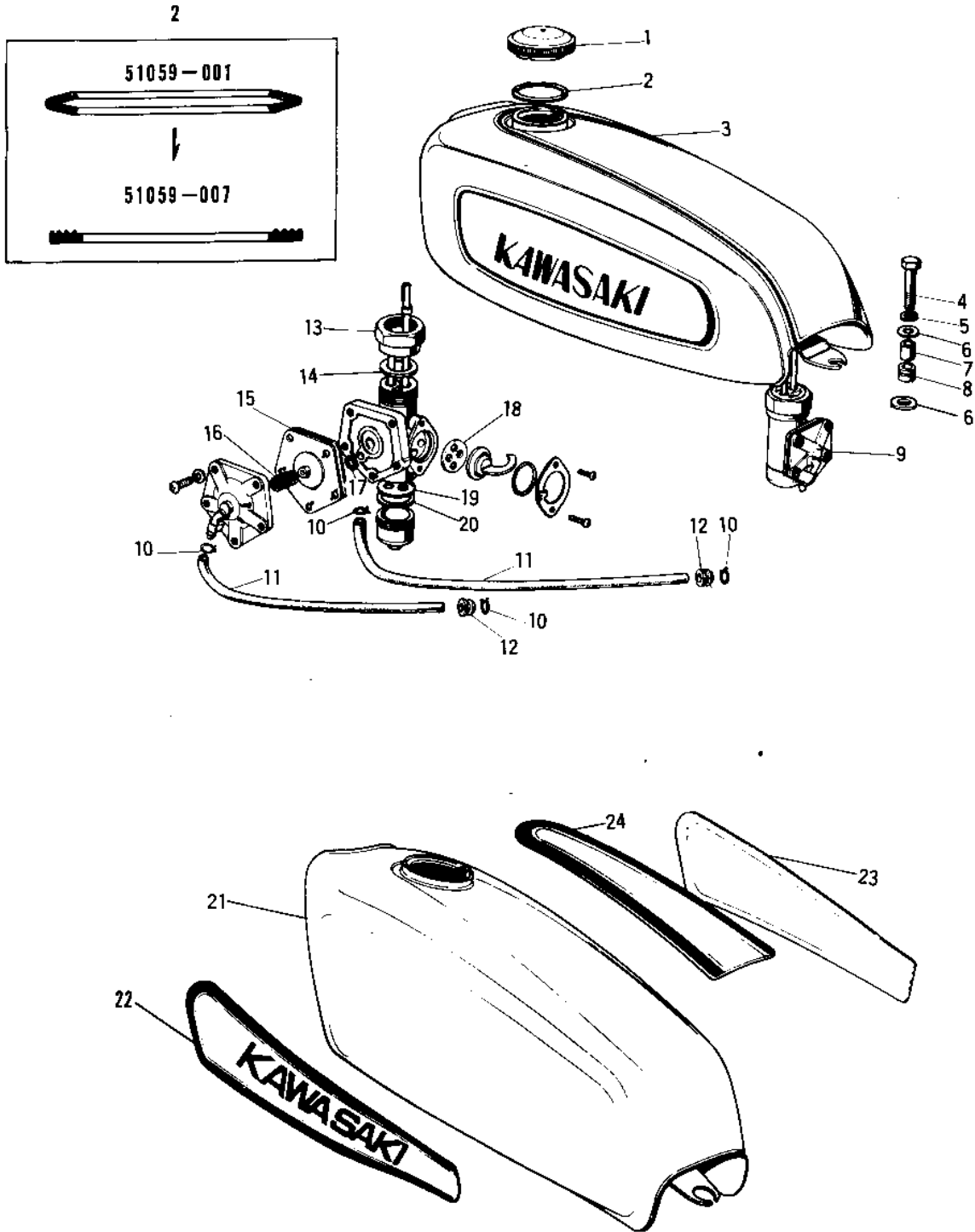


1970 Big Horn PARTS DIAGRAM

FUEL TANK



1970 Big Horn PARTS LIST

FUEL TANK

ITEM NAME	PART NUMBER	QUANTITY
CAP FUEL TANK (Ref # 1)	51049-008	1
GASKET-FUEL TANK CAP (Ref # 2)	51059-007	1
TANK, FUEL, RAWHIDE (Ref # 3)	51001-055-46	1
WASHER SPRING 8MM (Ref # 5)	461F0800	1
WASHER,8X26X2.3 (Ref # 6)	92022-1564	2
SPACER FUEL TANK REAR (Ref # 7)	92027-034	1
DAMPER RUBB TANK REAR (Ref # 8)	92075-030	1
COCK ASSY,FUEL (Ref # 9)	51023-048	1
CLAMP FUEL PIPE (Ref # 10)	92037-010	4
PIPE-OIL (Ref # 11)	92059-072	2
GROMMET PIPE (Ref # 12)	92071-038	2
FUEL COCK JOINT NUT (Ref # 13)	51035-008	1
GASKET-FUEL COCK JONT (Ref # 14)	92065-066	1
DIAPHRAGM ASSY (Ref # 15)	51069-002	1
SPRING-DIAPHRAGM (Ref # 16)	92081-072	1
GASKET (Ref # 17)	92065-052	1
GASKET-FUEL COCK LEV (Ref # 18)	92065-065	1
STRAINER FUEL (Ref # 19)	51038-006	1
GASKET FUEL COCK CUP (Ref # 20)	51037-009	1