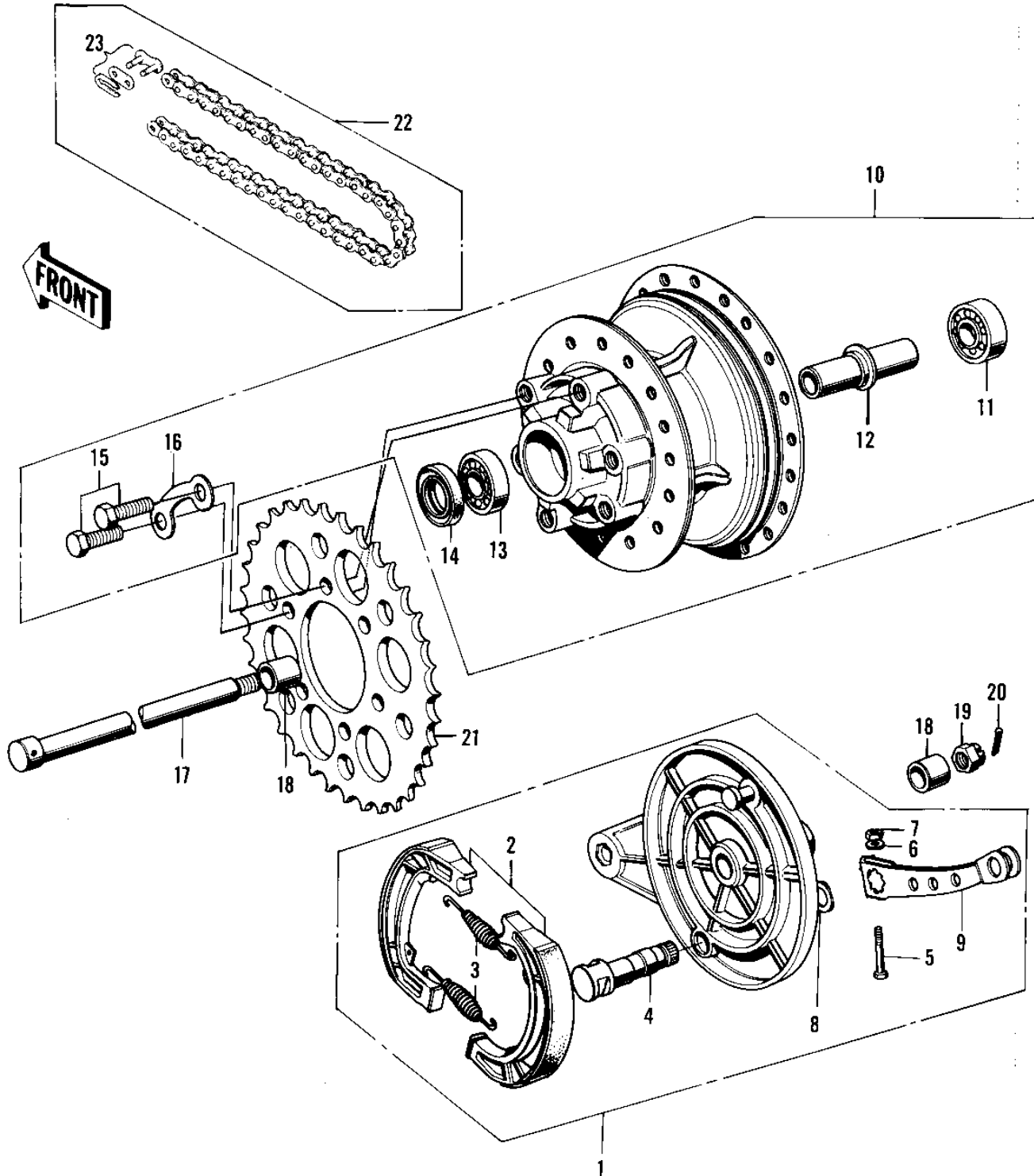


1970 Big Horn PARTS DIAGRAM

REAR HUB/BRAKE/CHAIN

Qty



- 1
- 1
- 1
- 1
- 1
- 1
- 1
- 1
- 1
- 1
- 1
- 1
- 2
- 2
- 2
- 2

2
*3304

1005-106

1970 Big Horn PARTS LIST

REAR HUB/BRAKE/CHAIN

ITEM NAME	PART NUMBER	QUANTITY
PANEL-ASY,RR BRK,BLK (Ref # 1)	42006-016-21	1
PANEL-ASY,RR BRK,BLK (Ref # 1)	42006-016-21	1
.SHOE,BRAKE (Ref # 2)	42019-011	2
SHOE,BRAKE (Ref # 2)	42019-011	2
.SPRING-BRAKE SHOE (Ref # 3)	42020-004	2
.CAM SHAFT,REAR BRAKE (Ref # 4)	42026-021	1
CAM SHAFT,REAR BRAKE (Ref # 4)	42026-021	1
.BOLT-UPSET,6X40 (Ref # 5)	112G0640	1
.WASHER PLAIN 6MM (Ref # 6)	410B0600	1
.NUT 6MM (Ref # 7)	311B0600	1
.DUST SHIELD BRAKE CAM (Ref # 8)	41051-001	1
.LEVER,REAR BRAKE CAM (Ref # 9)	42029-037	1
LEVER,REAR BRAKE CAM (Ref # 9)	42029-037	1
DRUM ASSY-REAR BRAKE (Ref # 10)	42005-019	1
.BEARING BALL #6303Z (Ref # 11)	601B6303Z	1
.SPACER-RR HUB BEARING (Ref # 12)	42010-015	1
.BEARING BALL #6303 (Ref # 13)	601B6303	1
.OIL SEAL FRONT AXLE (Ref # 14)	654A254708	1
BOLT-HEX HEAD,10X25 (Ref # 15)	92001-087	6
WASHER LOCK (Ref # 16)	92088-007	3
AXLE-REAR (Ref # 17)	42031-030	1
AXLE-REAR (Ref # 17)	42031-030	1
AXLE-REAR (Ref # 17)	42031-036	AL
COLLAR-REAR AXLE (Ref # 18)	42032-020	AL
COLLAR-REAR AXLE (Ref # 18)	42032-020	AL
COLLAR-REAR AXLE (Ref # 18)	42032-031	AL
COLLAR-REAR AXLE (Ref # 18)	42032-031	AL
NUT CASTLE 16M/M (Ref # 19)	42045-014	1
NUT CASTLE 16M/M (Ref # 19)	42045-014	AL

1970 Big Horn PARTS LIST

REAR HUB/BRAKE/CHAIN

ITEM NAME	PART NUMBER	QUANTITY
PIN-COTTER,4.0X35 (Ref # 20)	550D4035	1
REAR SPROCKET 41T (ALUMINUM) (Ref # 21)	42041-080	1
REAR SPROCKET,41T (STEEL) (Ref # 21)	42041-111	AL
REAR SPROCKET,43T (ALUMINUM) (Ref # 21)	42041-089	(1
REAR SPROCKET,43T (STEEL) (Ref # 21)	42041-112	(A
REAR SPROCKET,45T (ALUMINUM) (Ref # 21)	42041-088	(1
REAR SPROCKET,45T (STEEL) (Ref # 21)	42041-113	(A
RR SPROCKET 47T (OPT) (ALUMINUM) (Ref # 21)	42041-090	(1
REAR SPROCKET,47T (STEEL) (Ref # 21)	42041-114	(A
DR CHAIN 525X92H (Ref # 22)	695X5292	1
DR CHAIN 525X92H (Ref # 22)	695X5292	AL
UNAVAILABLE IN PRICE BOOK (Ref # 22)	695Z5294	1
CHAIN,525X94 SH (Ref # 22)	92057-029	AL
CHAIN JOINT 525 (Ref # 23)	92058-006	1