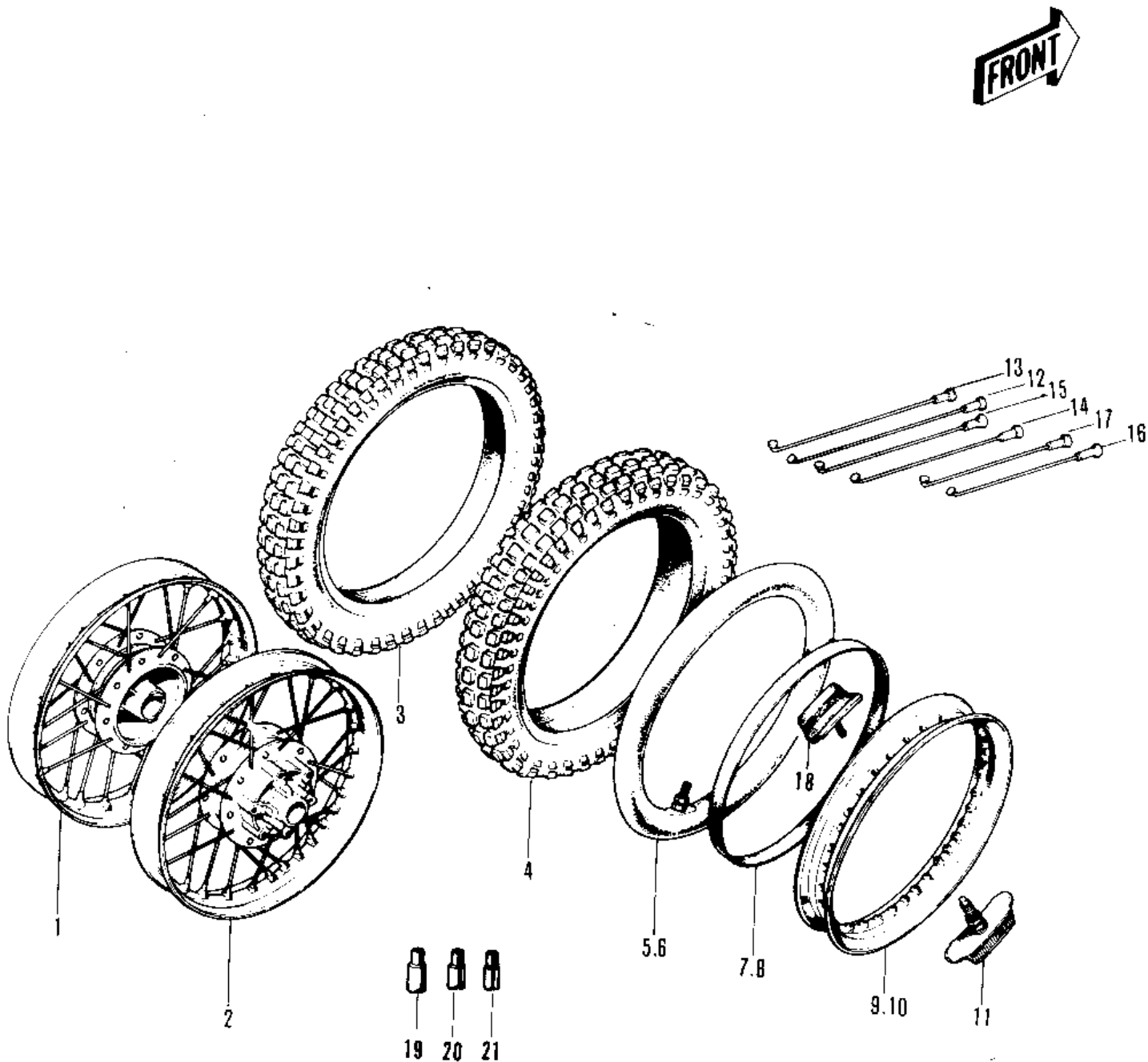


1970 Big Horn PARTS DIAGRAM

WHEELS/TIRES



1970 Big Horn PARTS LIST

WHEELS/TIRES

ITEM NAME	PART NUMBER	QUANTITY
WHEEL ASSY-FRONT (Ref # 1)	41074-016	1
WHEEL ASSY-REAR (Ref # 2)	42048-012	1
UNAVAILABLE IN PRICE BOOK (Ref # 3)	41019-008	1
UNAVAILABLE IN PRICE BOOK (Ref # 4)	41019-002	1
TUBE,2.75/3.70-21 (Ref # 5)	41022-1021	1
UNAVAILABLE IN PRICE BOOK (Ref # 6)	41022-024	1
BAND,RIM,3.00-21 (Ref # 7)	41023-1001	1
BAND,RIM,4.00/5.10-18 (Ref # 8)	41023-1006	1
RIM 1.60AX21 ALUMINUM (Ref # 9)	41025-038	1
RIM 1.85BX18 ALUMINUM (Ref # 10)	41025-039	1
PROTECTOR-BEAD 1.60A (Ref # 11)	41024-006	1
SPOKE-ASY,INNER (Ref # 12)	41027-035	2
SPOKE-ASY,OUTER (Ref # 13)	41028-034	2
SPOKE-ASY,INNER (Ref # 14)	41027-036	2
SPOKE-ASY,OUTER (Ref # 15)	41028-035	1
SPOKE-ASY,INNER (Ref # 16)	41027-037	1
SPOKE-ASY,OUTER (Ref # 17)	41028-036	1
PROTECTOR-BEAD 1.85B (Ref # 18)	41024-007	1
WEIGHT,BALANCE,30G (Ref # 19)	41075-1009	1
WEIGHT,BALANCE,20G (Ref # 20)	41075-1008	1
WEIGHT,BALANCE,10G (Ref # 21)	41075-1007	1