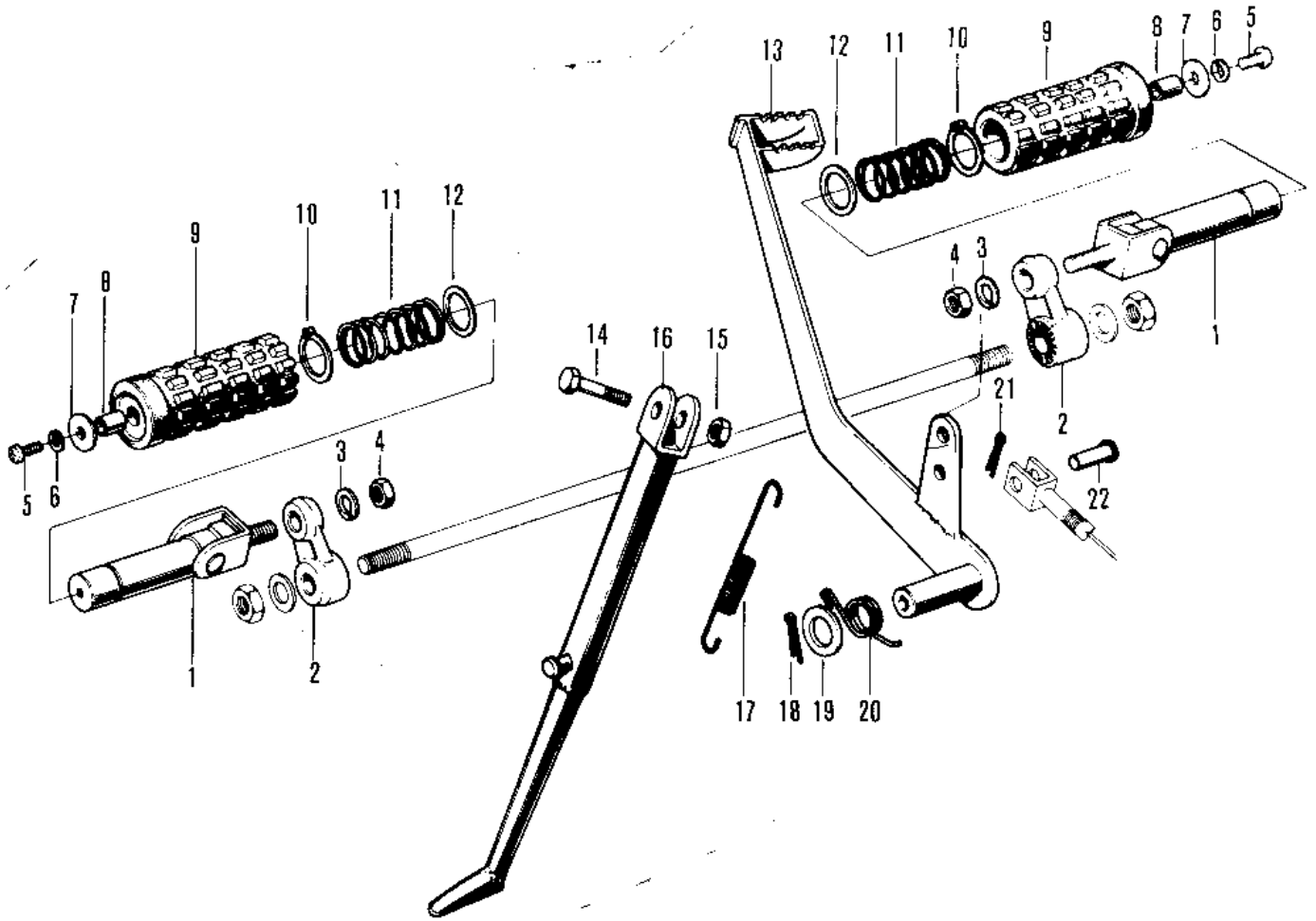


# 1970 Big Horn PARTS DIAGRAM

FOOTRESTS/STAND/BRAKE PEDAL



# 1970 Big Horn PARTS LIST

## FOOTRESTS/STAND/BRAKE PEDAL

ITEM NAME	PART NUMBER	QUANTITY
BAR ASSY,FOOTREST (Ref # 1)	34002-051	2
BAR ASSY,FOOTREST (Ref # 2)	34002-051	2
WASHER SPRING 10MM (Ref # 3)	461F1000	2
NUT 10MM (Ref # 4)	315B1000	2
BOLT-UPSET (Ref # 5)	112G0618	2
WASHER SPRING 6MM (Ref # 6)	461F0600	2
WASHER 6.5X20X1.6T (Ref # 7)	92022-125	2
COLLAR (Ref # 8)	92027-103	2
RUBBER-FOOTREST (Ref # 9)	92076-023	2
CIRCLIP 16MM (Ref # 10)	480J1600	2
SPRING FOOTREST PEG (Ref # 11)	34006-002	2
WASHER FOLDING PEG (Ref # 12)	92022-049	2
PEDAL-BRAKE (Ref # 13)	43001-033	1
BOLT,HEX HEAD 10X35 (Ref # 14)	92001-1252	1
NUT 10MM (Ref # 15)	315B1000	1
STAND-SIDE (Ref # 16)	34024-025	1
SPRING MAIN STAND (Ref # 17)	34023-005	1
PIN COTTER 3.0X30 (Ref # 18)	550D3030	1
WASHER BRAKE PEDAL (Ref # 19)	92022-085	1
SPRING-BRAKE PEDAL (Ref # 20)	43005-013	1
PIN COTTER 2.0X15 (Ref # 21)	550D2015	1
PIN R BRK CABLE JOINT (Ref # 22)	92043-034	1