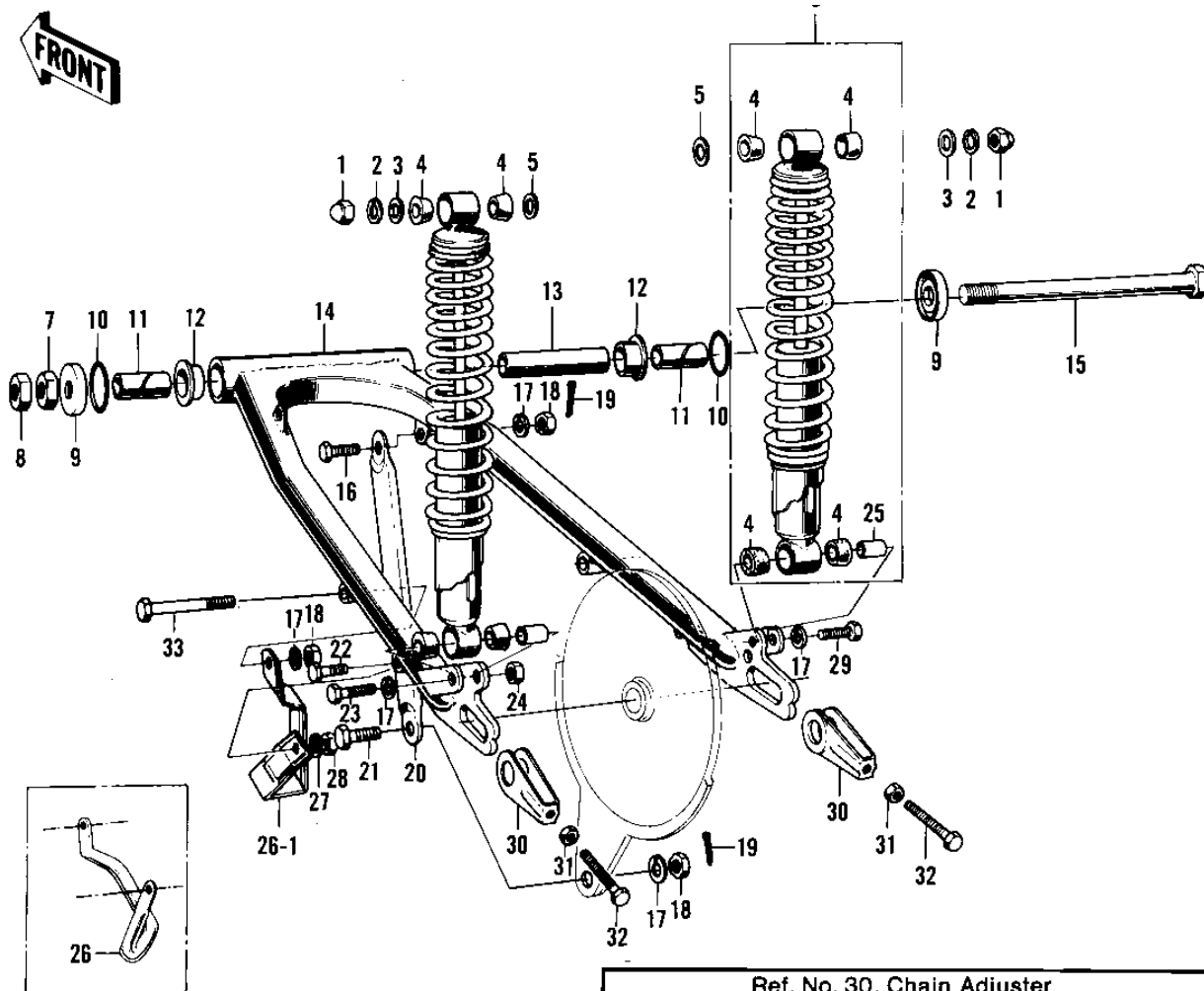


## 1970 Big Horn PARTS DIAGRAM SWING ARM/SHOCK ABSORBERS



Ref.

Ref. No. 30, Chain Adjuster		
	OLD	NEW
	1.6 mm 28 mm	2.3 mm 27.3 mm
Chain Adjuster	33040-033	33040-043
Collar	42032-020	42032-031
Frame No.	All F5	From F9
Interchange?	Use new parts as a set in place of old parts.	

NOTE: See Rear Hub page for Collar.

83a 27

84a-787

## 1970 Big Horn PARTS LIST

### SWING ARM/SHOCK ABSORBERS

ITEM NAME	PART NUMBER	QUANTITY
NUT SHOCK ABSORBER (Ref # 1)	92020-003	1
WASHER SPRING 10MM (Ref # 2)	461F1000	2
WASHER-PL-10.5X26X2.3 (Ref # 3)	92022-044	1
BUSH SHOCK ABSORBER (Ref # 4)	45017-003	1
BUSH-SHOCK ABSORBER (Ref # 4)	45017-005	1
WASHER PLAIN 12MM (Ref # 5)	410B1200	1
SHOCK ABSBR RR (Ref # 6)	45014-069	2
NUT,14MM (Ref # 7)	314B1400	2
NUT 14MM (Ref # 8)	315B1400	1
CAP-SWING ARM (Ref # 9)	33035-004	1
"0" RING,30MM (Ref # 10)	671B2530	1
SLEEVE-SWING ARM,SHRT (Ref # 11)	33034-013	1
BUSHING-SWING ARM (Ref # 12)	33033-009	2
SLEEVE-SWING ARM,LONG (Ref # 13)	33034-012	1
ARM-SWING (Ref # 14)	33001-028	1
SHAFT-SWING ARM PIVOT (Ref # 15)	33032-025	1
BOLT TORQUE LINK FIT (Ref # 16)	92003-017	1
NUT,10MM (Ref # 18)	314B1000	2
PIN COTTER 2.0X15 (Ref # 19)	550D2015	1
TORQUE LINK REAR BRK (Ref # 20)	43007-018	1
BOLT HEX HEAD 10X25 (Ref # 21)	92003-003	1
BOLT-HEX HEAD,6X32 (Ref # 22)	110N0632	1
BOLT HEX HEAD 10X45 (Ref # 23)	113N1045	1
NUT 10MM (Ref # 24)	315B1000	1
BUSH SHCK ABS PVT SFT (Ref # 25)	45016-003	1
GUARD-CHAIN (Ref # 26)	55020-004	1
GUARD-CHAIN (Ref # 26-1)	55020-009	1
WASHER SPRING 8MM (Ref # 27)	461F0800	1
NUT,8MM (Ref # 28)	311B0800	1

## 1970 Big Horn PARTS LIST

### SWING ARM/SHOCK ABSORBERS

ITEM NAME	PART NUMBER	QUANTITY
BOLT HEX HEAD 10X35 (Ref # 29)	113N1035	1
ADJUSTER CHAIN R.H (Ref # 30)	33040-033	1
ADJUSTER-CHAIN (Ref # 30)	33040-043	1
NUT 8MM (Ref # 31)	312B0800	1
BOLT,8X50 (Ref # 32)	92001-1399	2
BOLT,HEX HEAD,10X50 (Ref # 33)	92001-1254	2