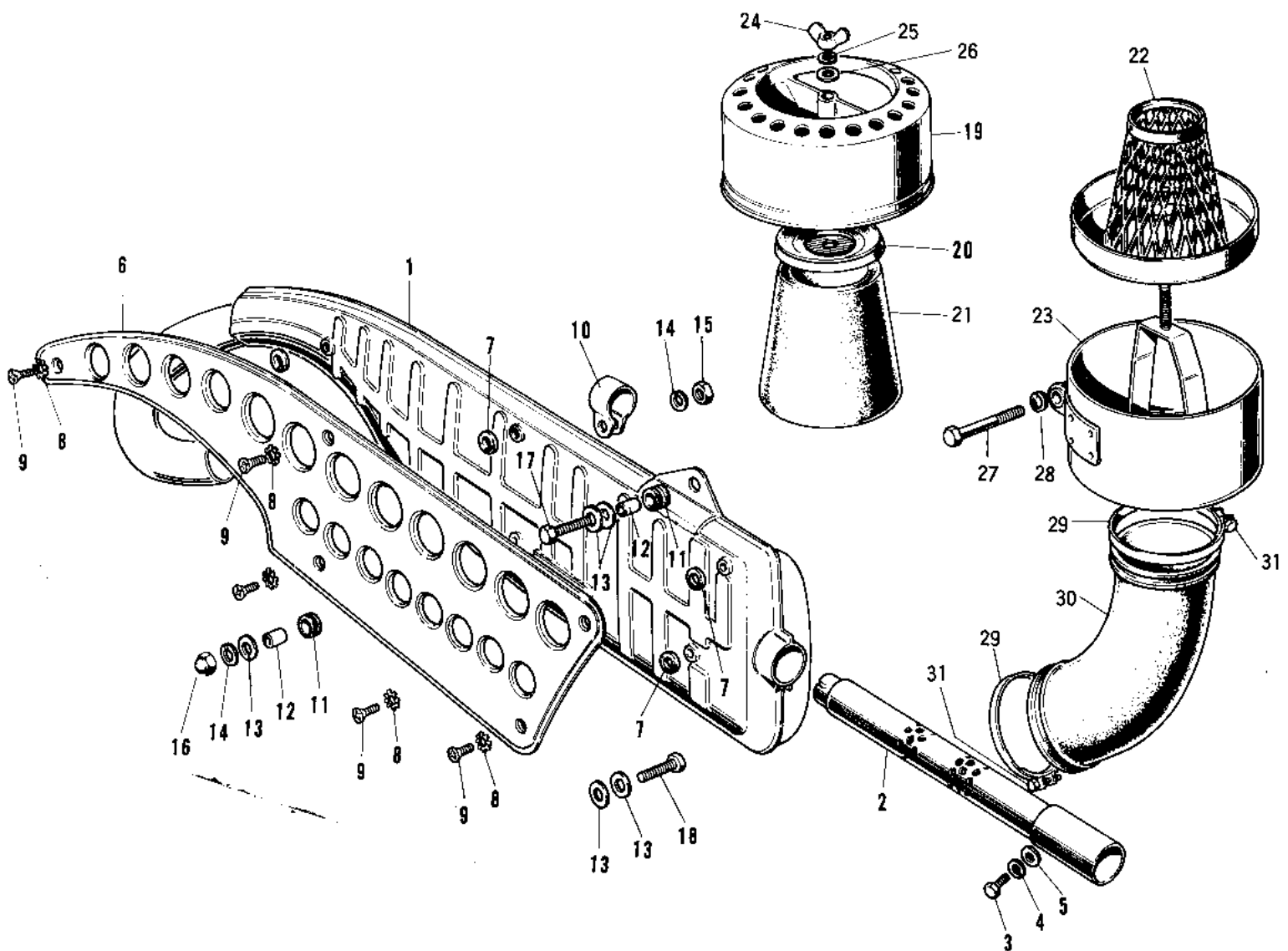


1970 Big Horn PARTS DIAGRAM

AIR CLEANER/MUFFLER



1970 Big Horn PARTS LIST

AIR CLEANER/MUFFLER

ITEM NAME	PART NUMBER	QUANTITY
MUFFLER ASSY,F.BLACK (Ref # 1~5)	18001-107-21	1
BAFFLE TUBE (Ref # 2)	18033-040	1
BOLT,6X10 (Ref # 3)	112G0610	1
WASHER SPRING 6MM (Ref # 4)	461F0600	3
WASHER PLAIN 6MM (Ref # 5)	411B0600	2
COVER-MUFFLER (Ref # 6)	18064-003	1
INSULATOR HEAT (Ref # 7)	18065-002	1
WASHER LOCK 6MM (Ref # 8)	463H0600	1
SCREW PAN HEAD 6X10 (Ref # 9)	220E0610	1
BRACKET,UPPER MUFFLER (Ref # 10)	32069-039	1
DAMPER RUBBER-MUFFLER (Ref # 11)	18063-005	1
COLLAR (Ref # 12)	92027-102	1
WASHER,8X26X2.3 (Ref # 13)	92022-1564	1
WASHER SPRING 8MM (Ref # 14)	461F0800	1
NUT 8MM (Ref # 15)	312B0800	1
NUT FUEL TANK FRONT (Ref # 16)	92020-007	1
BOLT,FLANGED,8X35 (Ref # 17)	92001-1577	1
BOLT HEX HEAD 8X28 (Ref # 18)	114G0828	1
AIR CLEANER ASSY (Ref # 19~26)	11010-038	1
CAP-AIR CLEANER (Ref # 19)	11012-014	1
ELEMENT,AIR CLNR, TOP (Ref # 20)	11013-022	1
ELEMENT,AIR CLNR,MAIN (Ref # 21)	11013-021	1
WIRE NET-AIR CLEANER (Ref # 22)	11014-002	1
BODY-AIR CLEANER (Ref # 23)	11011-011	1
NUT-WING,6MM (Ref # 24)	92015-030	1
BOLT,EXCLUSIVE (Ref # 27)	92001-1456	1
CLAMP,AIR CLEANER (Ref # 29)	92037-129	1
CONNECTOR (Ref # 30)	11026-002	1
SCREW PAN HEAD 6X30 (Ref # 31)	220B0630	1