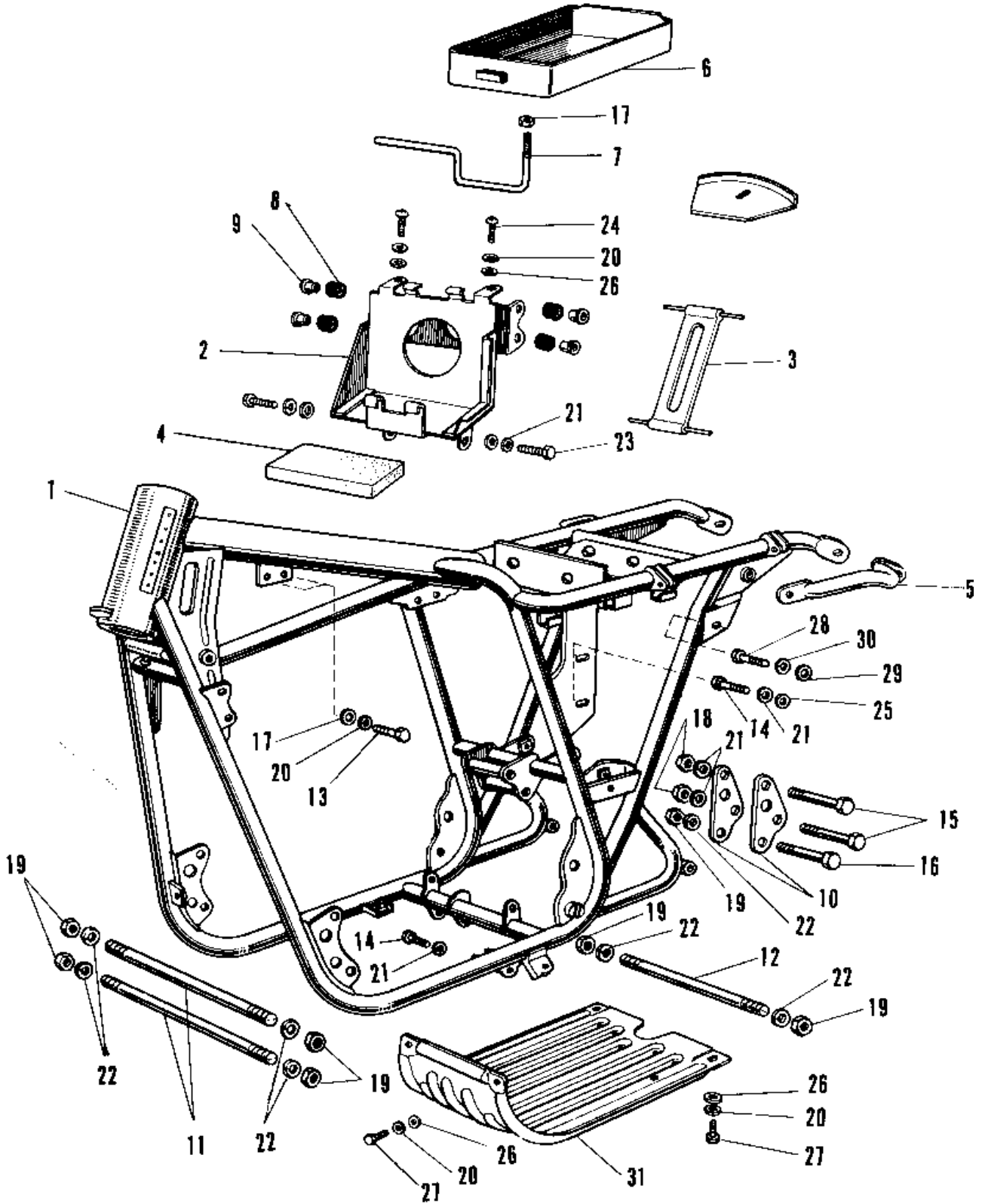


1969 A1SS PARTS DIAGRAM

FRAME A1/SS, A7/SS, U.S. MODELS



1969 A1SS PARTS LIST

FRAME A1/SS, A7/SS, U.S. MODELS

| ITEM NAME | PART NUMBER | QUANTITY |
|----------------------------------|-------------|----------|
| FRAME (Ref # 1) | 32002-020 | 1 |
| CASE BATTERY (Ref # 2) | 32097-007 | 1 |
| BAND BATTERY (Ref # 3) | 92072-015 | 1 |
| MAT BATTERY (Ref # 4) | 32103-006 | 1 |
| GRIP FRAME (Ref # 5) | 32109-004 | 1 |
| BOX TOOL (Ref # 6) | 32098-004 | (1 |
| BOX TOOL (Ref # 6) | 32098-010 | 1 |
| STAY TOOL BOX (Ref # 7) | 32110-001 | 1 |
| GROMMET IGN UNIT FIT (Ref # 8) | 92071-037 | 4 |
| WASHER IGN UNIT FIT (Ref # 9) | 92026-056 | 4 |
| PLATE ENG REAR HOLDER (Ref # 10) | 32030-006 | 2 |
| BOLT,10X225 (Ref # 11) | 92003-181 | 2 |
| BOLT ENG LOWER MOUNT (Ref # 12) | 92091-003 | 1 |
| BOLT 6X35 (Ref # 13) | 110R0635 | 4 |
| BOLT-SMALL-UPSET,8X18 (Ref # 14) | 115G0818 | 2 |
| BOLT FLANGED,8X70 (Ref # 15) | 92001-1583 | 2 |
| BOLT,FLANGED,10X70 (Ref # 16) | 92001-1618 | (1 |
| BOLT,FLANGED,10X70 (Ref # 16) | 92001-1618 | 1 |
| NUT 6MM (Ref # 17) | 311B0600 | 5 |
| NUT,8MM (Ref # 18) | 311B0800 | 2 |
| NUT,10MM (Ref # 19) | 314B1000 | 7 |
| WASHER SPRING 6MM (Ref # 20) | 461F0600 | 10 |
| WASHER SPRING 8MM (Ref # 21) | 461F0800 | 6 |
| WASHER SPRING 10MM (Ref # 22) | 461F1000 | 7 |
| BOLT-SMALL-UPSET,8X16 (Ref # 23) | 115G0816 | 2 |
| SCREW PAN HEAD 6X12 (Ref # 24) | 220B0612 | 2 |
| WASHER PLAIN 8MM (Ref # 25) | 411B0800 | 2 |
| WASHER PLAIN 6MM (Ref # 26) | 410B0600 | 6 |
| BOLT-UPSET,6X12 (Ref # 27) | 112G0612 | 4 |

1969 A1SS PARTS LIST

FRAME A1/SS, A7/SS, U.S. MODELS

| ITEM NAME | PART NUMBER | QUANTITY |
|--------------------------------|-------------|----------|
| BOLT,HEX HEAD,10X25 (Ref # 28) | 113G1025 | 1 |
| WASHER PLAIN 10MM (Ref # 29) | 410B1000 | 1 |
| WASHER SPRING 10MM (Ref # 30) | 461F1000 | 1 |
| GUARD ENGINE (Ref # 31) | 55011-005 | 1 |