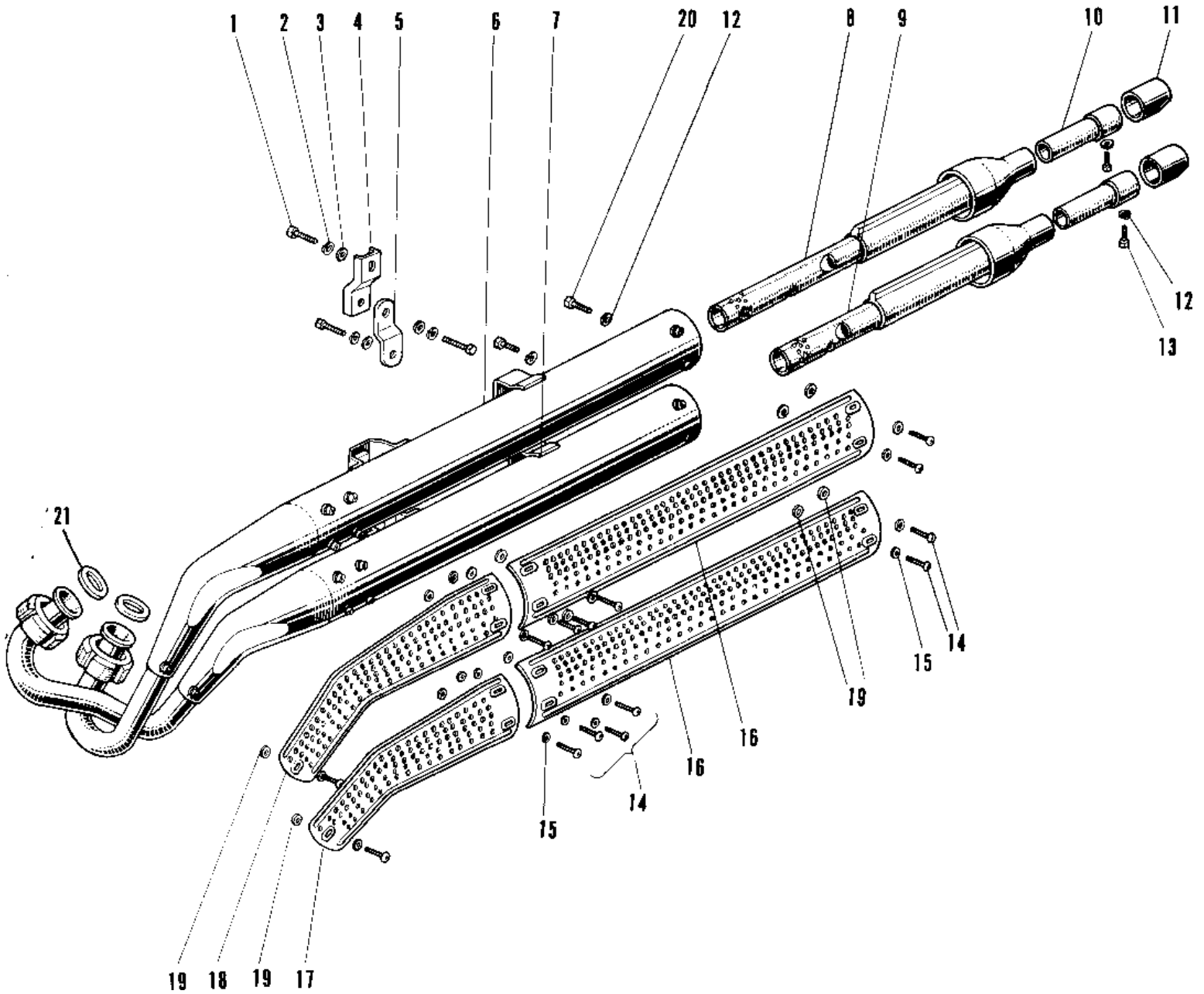


1968 Samurai PARTS DIAGRAM

MUFFLER/SPARK ARRESTER A1SS, A7SS



1968 Samurai PARTS LIST

MUFFLER/SPARK ARRESTER A1SS, A7SS

| ITEM NAME | PART NUMBER | QUANTITY |
|-----------------------------------|-------------|----------|
| BOLT,8X20 (Ref # 1) | 115G0820 | 2 |
| WASHER SPRING 8MM (Ref # 2) | 461F0800 | 2 |
| WASHER PLAIN 8MM (Ref # 3) | 410B0800 | 2 |
| BRACKET UPPER MUFFLER (Ref # 4) | 18061-007 | 1 |
| BRACKET LOWER MUFFLER (Ref # 5) | 18061-008 | 1 |
| MUFFLER ASSY UPPER (Ref # 6,8,10) | 18002-057 | 1 |
| MUFFLER ASSY LOWER (Ref # 7,9,10) | 18003-024 | 1 |
| SPARK ARRESTOR COMP U (Ref # 8) | 18033-020 | 1 |
| SPARK ARRESTOR COMP L (Ref # 9) | 18033-022 | 1 |
| BAFFLE TUBE (Ref # 10) | 18033-039 | 2 |
| BAFFLE TUBE (Ref # 10) | 18033-023 | 2 |
| TAIL PIECE (Ref # 11) | 18048-006 | 2 |
| WASHER SPRING 6MM (Ref # 12) | 461F0600 | 4 |
| BOLT,6X10 (Ref # 13) | 112G0610 | 2 |
| SCREW PAN HEAD 6X10 (Ref # 13) | 220B0610 | 2 |
| SCREW PAN HEAD 6X8 (Ref # 14) | 220E0608 | 14 |
| WASHER PLAIN 6MM (Ref # 15) | 411B0600 | 14 |
| COVER MUFFLER REAR (Ref # 16) | 18057-014 | 2 |
| COVER MUFFLER LOWER (Ref # 17) | 18057-013 | 1 |
| COVER MUFFLER UPPER (Ref # 18) | 18057-012 | 1 |
| INSULATOR HEAT (Ref # 19) | 18065-002 | 14 |
| BOLT,6X10 (Ref # 20) | 112G0610 | 2 |
| GASKET EXHAUST PIPE (Ref # 21) | 18067-008 | 2 |