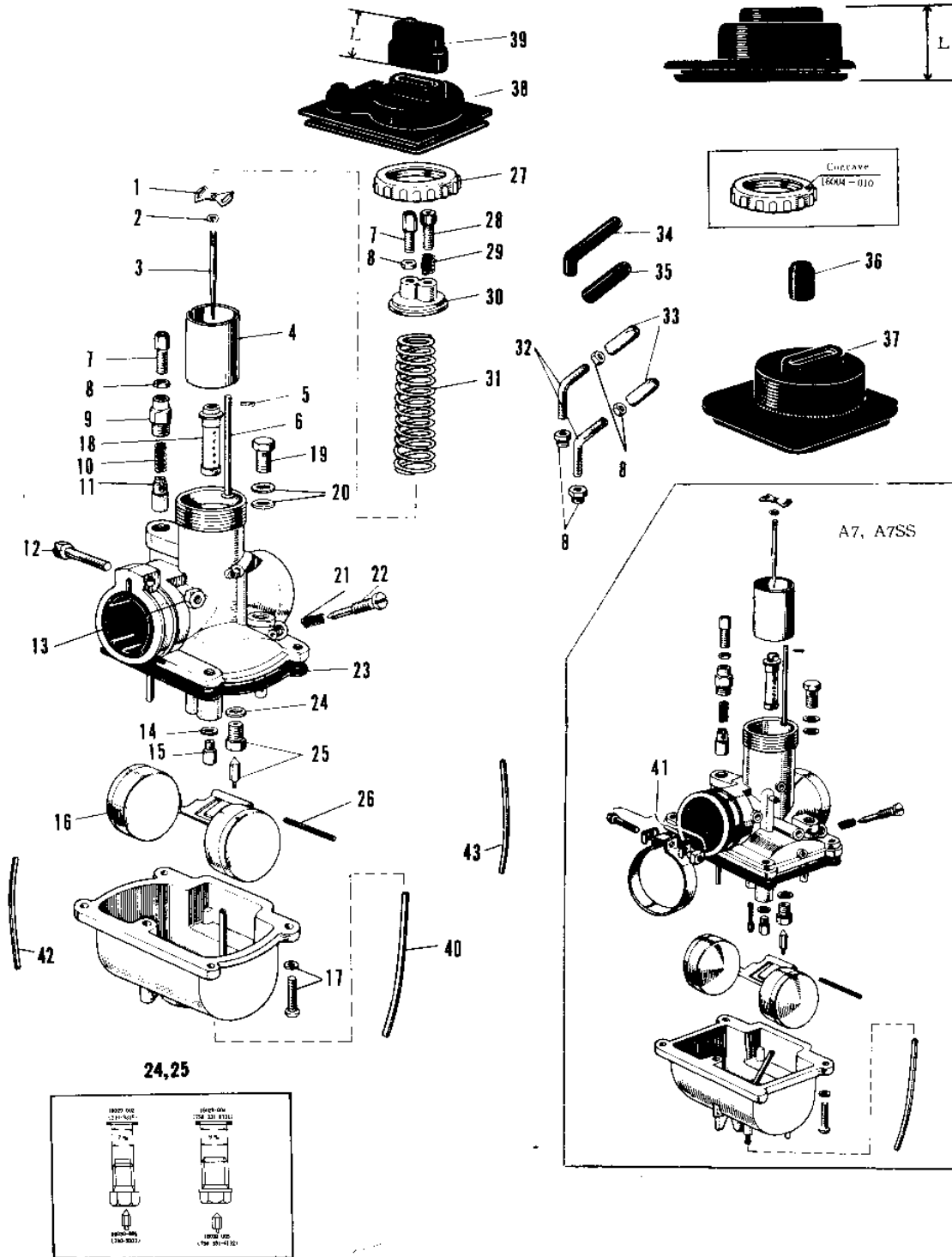


# 1969 Avenger SS PARTS DIAGRAM

CARBURETOR VM22SC, VM28SC



# 1969 Avenger SS PARTS LIST

CARBURETOR VM22SC, VM28SC

| ITEM NAME                           | PART NUMBER | QUANTITY |
|-------------------------------------|-------------|----------|
| CARBURETOR ASSY R.H (Ref # 1~31)    | 16001-096   | 1        |
| CARBURETOR ASSY L.H (Ref # 1~31)    | 16001-097   | 1        |
| SPRING SEAT THRTL VLV (Ref # 1)     | 16007-002   | 2        |
| CIRCLIP (Ref # 2)                   | 16008-010   | 2        |
| JET NEEDLE 4J13 (Ref # 3)           | 16009-012   | 2        |
| VALVE THROTTLE (Ref # 4)            | 16025-011   | 2        |
| UNAVAILABLE IN PRICE BOOK (Ref # 5) | 16023-001   | 2        |
| ROD THROTTLE VLV STOP (Ref # 6)     | 16024-002   | 2        |
| CABLE ADJUSTER (Ref # 7)            | 16002-002   | 2        |
| NUT CABLE ADJUST LOCK (Ref # 8)     | 16003-004   | 6        |
| CAP STARTER PLUNGER (Ref # 9)       | 16012-004   | 2        |
| SPRING STARTER PLUNG (Ref # 10)     | 16013-005   | 2        |
| PLUNGER-ENRICHNER (Ref # 11)        | 16016-002   | 2        |
| SCREW CLAMP (Ref # 12)              | 16010-004   | 2        |
| NUT 6MM (Ref # 13)                  | 311B0600    | (2)      |
| NUT 6MM (Ref # 13)                  | 311B0600    | 2        |
| WASHER MAIN JET (Ref # 14)          | 16034-001   | 2        |
| JET-MAIN NO 140A (Ref # 15)         | 92063-015   | 2        |
| FLOAT (Ref # 16)                    | 16031-004   | 2        |
| SCREW FLOAT CHAMBER (Ref # 17)      | 16033-009   | 8        |
| NEEDLE JET 0-6 (Ref # 18)           | 16017-026   | 2        |
| BOLT BANJO (Ref # 19)               | 92001-014   | 2        |
| GASKET 8MM (Ref # 20)               | 751P0800    | 4        |
| SPRING, THROTTLE ADJST (Ref # 21)   | 16022-010   | 2        |
| SCREW PILOT AIR ADJST (Ref # 22)    | 16014-003   | 2        |
| GASKET FLOAT CHAMBER (Ref # 23)     | 16019-004   | 2        |
| WASHER VALVE SEAT (Ref # 24)        | 16029-002   | 2        |
| WASHER FLOAT VLV SEAT (Ref # 24)    | 16029-004   | 2        |
| FLOAT VALVE ASSY (Ref # 25)         | 16030-001   | 2        |

# 1969 Avenger SS PARTS LIST

CARBURETOR VM22SC, VM28SC

| ITEM NAME                        | PART NUMBER | QUANTITY |
|----------------------------------|-------------|----------|
| FLOAT VALVE ASSY (Ref # 25)      | 16030-005   | 2        |
| FLOAT PIN (Ref # 26)             | 16032-003   | 2        |
| CAP MIXING CHAMBER (Ref # 27)    | 16004-010   | 2        |
| SCREW, THROTTLE STOP (Ref # 28)  | 16021-002   | 2        |
| SPRING THR STOP SCREW (Ref # 29) | 16022-005   | 2        |
| TOP MIXING CHAMBER (Ref # 30)    | 16005-005   | 2        |
| SPRING THROTTLE VALVE (Ref # 31) | 16006-013   | 2        |
| CABLE GUIDE (Ref # 32)           | 16077-001   | 2        |
| CABLE ADJUSTER (Ref # 33)        | 16002-004   | 2        |
| CAP CABLE ADJUSTER A (Ref # 34)  | 16036-002   | 1        |
| CAP CABLE ADJUSTER B (Ref # 35)  | 16036-003   | 1        |
| CAP THROTTLE ADJUSTER (Ref # 36) | 16037-002   | 1        |
| CAP L.H CARBURETOR (Ref # 37)    | 14038-009   | 1        |
| CAP CARBURETOR (Ref # 38)        | 14038-008   | 1        |
| GROMMET CARB CAP (Ref # 39)      | 14038-006   | 1        |
| PIPE FUEL OVERFLOW (Ref # 40)    | 92059-031   | 2        |
| PIPE AIR VENT A (Ref # 42)       | 92059-040   | 1        |
| PIPE AIR VENT B (Ref # 43)       | 92059-044   | 1        |