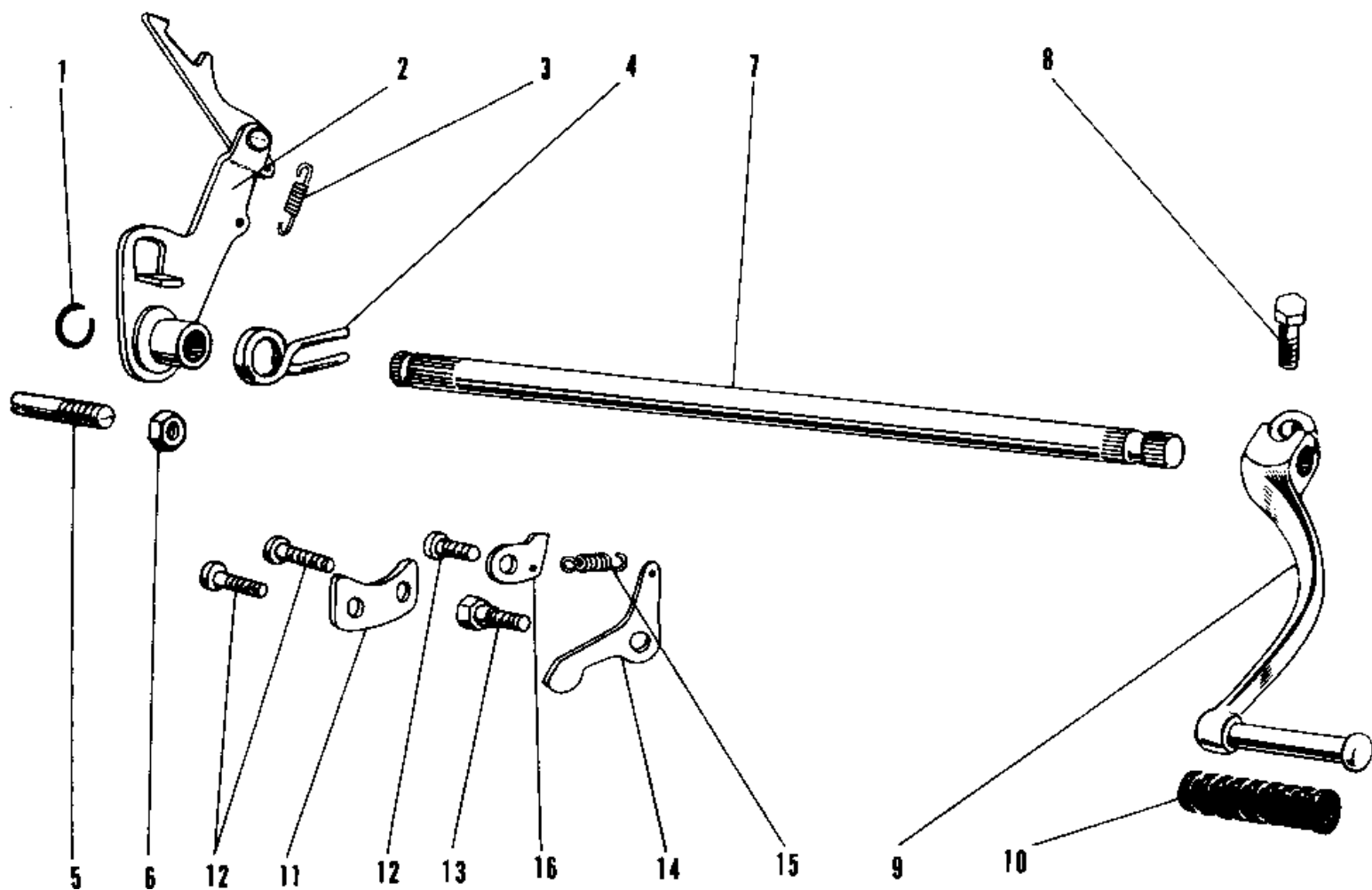


1967 Avenger PARTS DIAGRAM

GEAR CHANGE MECHANISM



1967 Avenger PARTS LIST

GEAR CHANGE MECHANISM

| ITEM NAME | PART NUMBER | QUANTITY |
|----------------------------------|-------------|----------|
| CIRCLIP 10MM (Ref # 1) | 92033-002 | 1 |
| LEVER ASSY GEAR CHNG (Ref # 2) | 13161-007 | 1 |
| SPRING,CHANGE LEVER (Ref # 3) | 92144-1720 | 1 |
| SPRING,TENTION (Ref # 4) | 92081-1129 | 1 |
| BOLT,RETURN SPRING (Ref # 5) | 92001-1401 | 1 |
| NUT 8MM (Ref # 6) | 312B0800 | 1 |
| SHAFT GEAR CHNG PEDAL (Ref # 7) | 13167-008 | 1 |
| BOLT-UPSET,6X20 (Ref # 8) | 112G0620 | 1 |
| PEDAL GEAR CHANGE (Ref # 9) | 13156-019 | 1 |
| RUBBER CHANGE PEDAL (Ref # 10) | 13157-004 | 1 |
| PLATE CHNG DRUM PSTN (Ref # 11) | 13169-002 | 1 |
| SCREW PAN HEAD 6X14 (Ref # 12) | 220B0614 | 1 |
| BOLT,CHANGE DRUM LEVE (Ref # 13) | 92150-1450 | 1 |
| LEVER GEAR CHNG DRUM (Ref # 14) | 13168-004 | 1 |
| SPRING,CHNG DRUM LEVR (Ref # 15) | 92081-1045 | 1 |
| PLATE CHANGE DRUM LEV (Ref # 16) | 13170-004 | 1 |