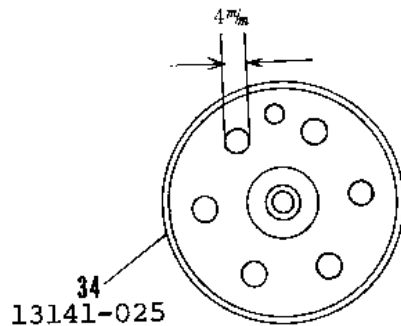
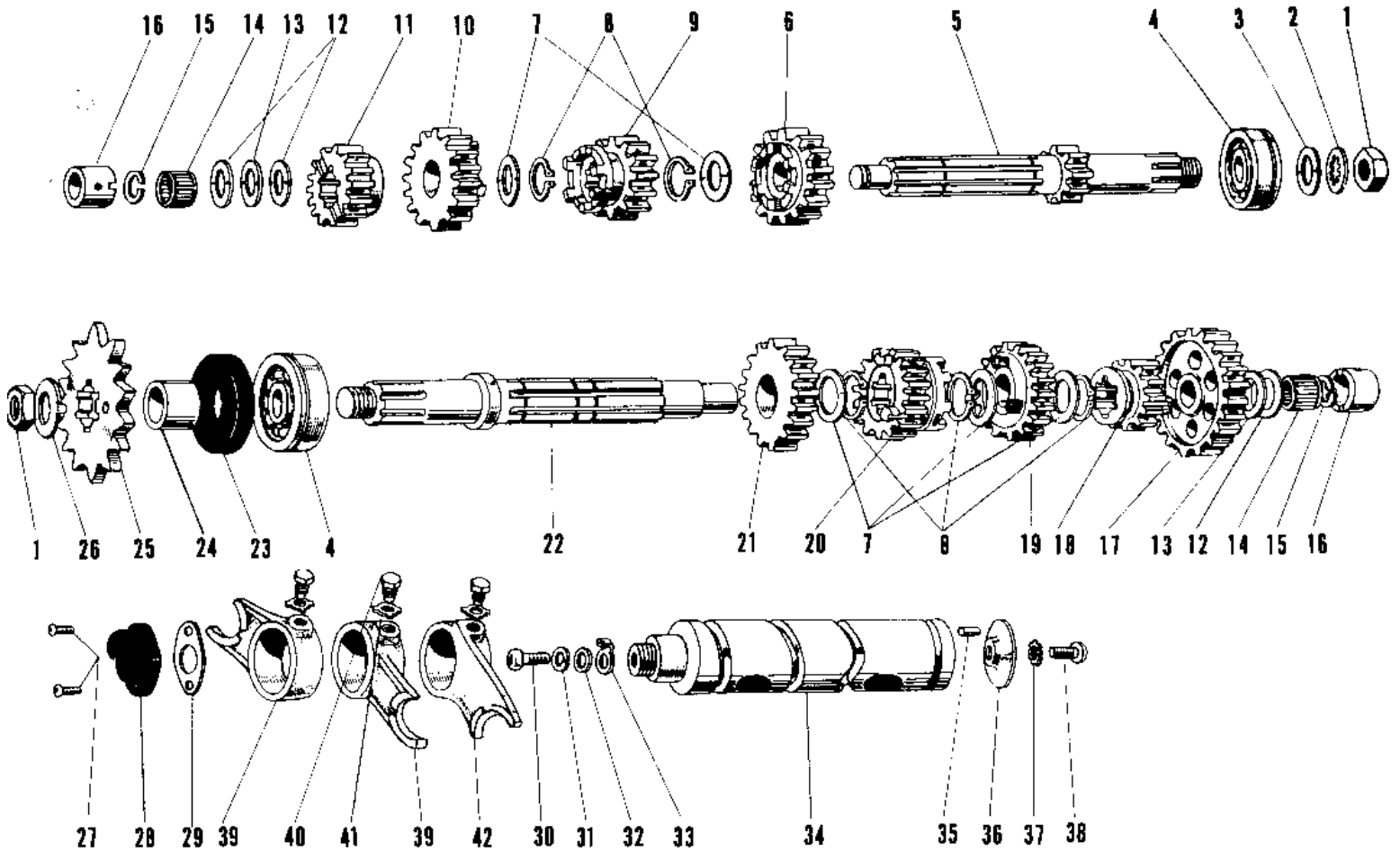
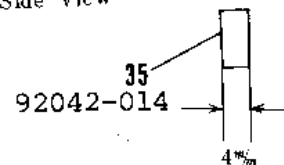


# 1966 Samurai PARTS DIAGRAM

## TRANSMISSION



R.H. Side View



# 1966 Samurai PARTS LIST

## TRANSMISSION

ITEM NAME	PART NUMBER	QUANTITY
NUT 18MM (Ref # 1)	92015-019	2
WASHER LOCK 18MM (Ref # 2)	463G1800	1
WASHER PL 19X36.5X0.8 (Ref # 3)	92022-074	1
BALL BEARING 6305N (Ref # 4)	92045-020	2
SHAFT DRIVE (Ref # 5)	13127-012	1
TOP GEAR DRIVE SHAFT (Ref # 6)	13136-017	1
WASHER 25MM (Ref # 7)	92022-076	5
CIRCLIP (Ref # 8)	92033-026	5
3RD GEAR DRIVE SHAFT (Ref # 9)	13132-009	1
4TH GEAR DRIVE SHAFT (Ref # 10)	13134-003	1
2ND GEAR DRIVE SHAFT (Ref # 11)	13130-008	1
WASHER 17MM (Ref # 12)	92022-075	3
WASHER THRUST (Ref # 13)	92026-021	2
BEARING NEEDLE (Ref # 14)	92046-005	2
CIRCLIP 17MM (Ref # 15)	92033-009	2
BUSH TRANSMISSION SFT (Ref # 16)	92028-043	2
LOW GEAR OUTPUT SHAFT (Ref # 17)	13129-014	1
TOP GEAR OUTPUT SHAFT (Ref # 18)	13137-007	1
3RD GEAR OUTPUT SHAFT (Ref # 19)	13133-007	1
4TH GEAR OUTPUT SHAFT (Ref # 20)	13135-003	1
2ND GEAR OUTPUT SHAFT (Ref # 21)	13131-010	1
SHAFT OUTPUT (Ref # 22)	13128-013	1
OIL SEAL SC326210 (Ref # 23)	92050-016	1
SPACER-ENG SPROCKET (Ref # 24)	92026-1024	1
ENGINE SPROCKET 15T (Ref # 25)	13144-025	1
WASHER,LOCK,18MM (Ref # 26)	92024-067	1
SCREW PAN HEAD 5X16 (Ref # 27)	220B0516	2
UNAVAILABLE IN PRICE BOOK (Ref # 27)	214B0516A	2
SWITCH,NEUTRAL (Ref # 28)	13151-1001	1

# 1966 Samurai PARTS LIST

## TRANSMISSION

ITEM NAME	PART NUMBER	QUANTITY
GASKET NEUTRAL SWITCH (Ref # 29)	13146-002	1
UNAVAILABLE IN PRICE BOOK (Ref # 30)	92011-003	1
WASHER SPRING 6MM (Ref # 31)	461F0600	1
WASHER PLAIN 6MM (Ref # 32)	410B0600	1
ROTOR,NEUTRAL INDICTR (Ref # 33)	21007-1003	1
DRUM GEAR CHANGE (Ref # 34)	13141-025	1
PIN GEAR CHANGE DRUM (Ref # 35)	92043-004	6
PIN GEAR CHANGE DRUM (Ref # 35)	92042-014	6
PLATE CHANGE DRUM PIN (Ref # 36)	13142-004	1
WASHER LOCK 6MM (Ref # 37)	464H0600	1
SCREW PAN HEAD 6X12 (Ref # 38)	220B0612	1
FORK SELECTOR TOP (Ref # 39)	13140-013	2
PIN SELECT FORK GUIDE (Ref # 40)	92043-016	3
WASHER LOCK 10MM (Ref # 41)	92031-001	3
FORK-SELECTOR,LOW (Ref # 42)	13140-014	1
SELECTOR FORK LOW (Ref # )	13140-004	1