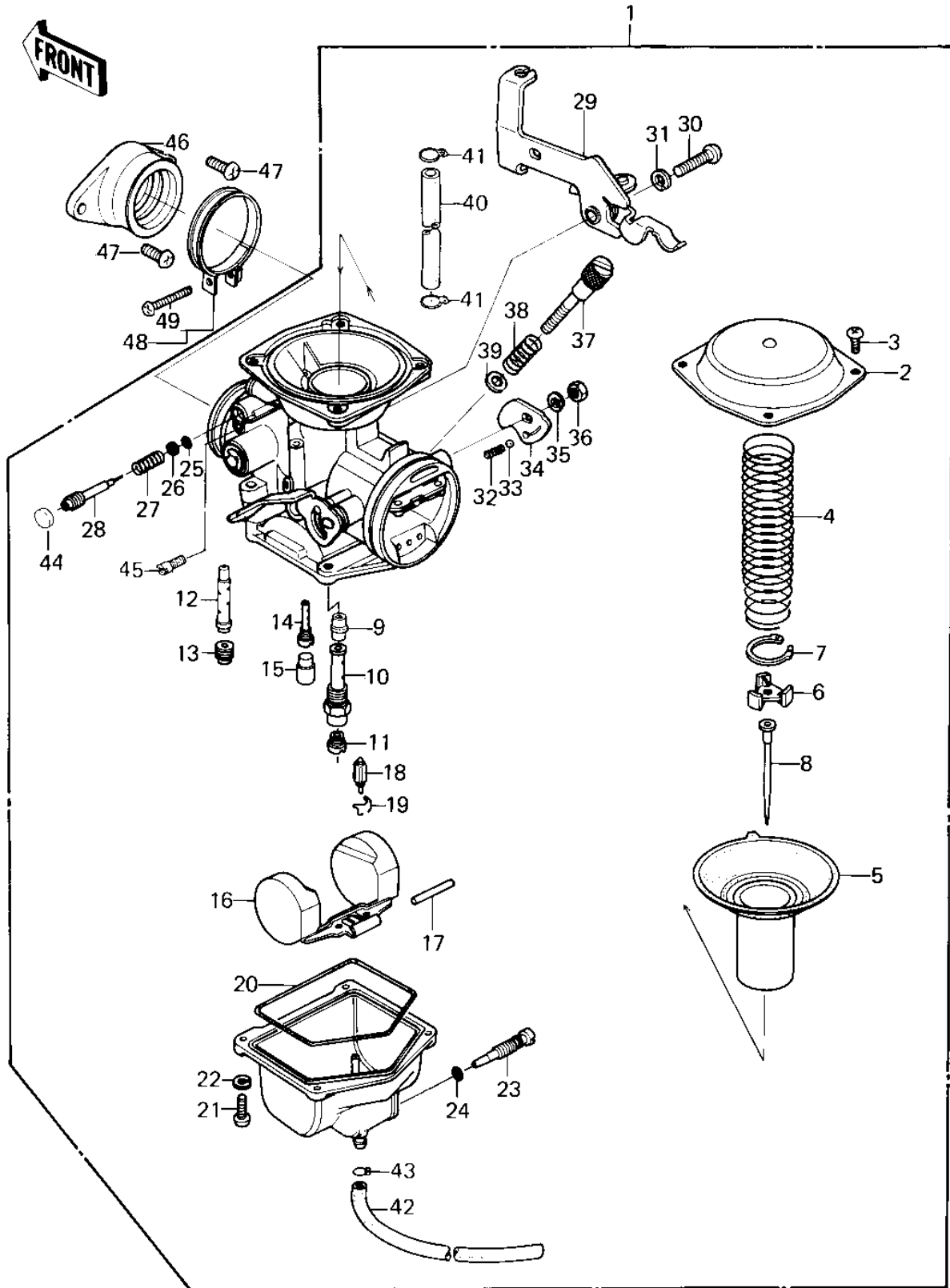


# 1980 KZ250 PARTS DIAGRAM

CARBURETOR ('80 D1)



# 1980 KZ250 PARTS LIST

## CARBURETOR ('80 D1)

ITEM NAME	PART NUMBER	QUANTITY
CARBURETOR ASSY (Ref # 1)	16001-1160	1
TOP,MIXING CHAMBER (Ref # 2)	16005-1001	1
SCREW PAN HEAD 4X8 (Ref # 3)	220B0408	4
SPRING (Ref # 4)	92081-1001	1
VACUUM,VALVE (Ref # 5)	16126-1042	1
COLLAR (Ref # 6)	16007-1001	1
CIRCLIP (Ref # 7)	92037-1005	1
JET NEEDLE,N05A (Ref # 8)	16009-1054	1
NEEDLE JET (Ref # 9)	16017-1052	1
HOLDER,NEEDLE JET (Ref # 10)	13091-1050	1
MAIN JET,#2ND,#98 (Ref # 11)	92063-1005	1
MAIN JET,#92,2ND (Ref # 11)	92063-1004	(1
MAIN JET,2ND,#95 (Ref # 11)	92063-1001	(1
MAIN JET,2ND,#100 (Ref # 11)	92063-1006	(1
MAIN JET,2ND,#102 (Ref # 11)	92063-1090	(1
NOZZLE,MAIN (Ref # 12)	92062-1001	1
MAIN JET,PRI,#68 (Ref # 13)	92063-1050	1
PILOT JET,#35 (Ref # 14)	92064-1001	1
CAP,RUBBER (Ref # 15)	16012-1001	1
FLOAT (Ref # 16)	16031-1001	1
FLOAT PIN (Ref # 17)	92043-1002	1
FLOAT VALVE (Ref # 18)	16030-1007	1
CLIP,FLOAT VALVE (Ref # 19)	16044-007	1
"O" RING,FLOAT BALL (Ref # 20)	16019-024	1
SCREW-PAN-CRSOSS,4X12 (Ref # 21)	220B0412	4
WASHER SPRING 4MM (Ref # 22)	461F0400	4
SCREW,DRAIN (Ref # 23)	92009-1095	1
"O" RING,DRAIN SCREW (Ref # 24)	92055-1053	1
O RING,PILOT ADJ (Ref # 25)	92055-1002	1

# 1980 KZ250 PARTS LIST

## CARBURETOR ('80 D1)

ITEM NAME	PART NUMBER	QUANTITY
WASHER,PLAIN (Ref # 26)	92022-1003	1
SPRING,PIROT ADJ SCRW (Ref # 27)	92081-1002	1
SCREW,PILOT ADJUST (Ref # 28)	16014-1029	1
PLATE,STAY (Ref # 29)	11034-1826	1
SCREW-PAN-CROS,5X25 (Ref # 30)	220B0525	1
WASHER SPRING 5MM (Ref # 31)	461F0500	1
SPRING (Ref # 32)	92081-1004	1
BALL,STEEL,1/8" (Ref # 33)	600A0400	1
CAM,CHOKE LINK (Ref # 34)	13169-1303	1
WASHER SPRING 5MM (Ref # 35)	461F0500	1
NUT,5MM (Ref # 36)	311B0500	1
SCREW,THROTTLE STOP (Ref # 37)	16021-1031	1
SPRING,STOP SCREW (Ref # 38)	92081-1062	1
WASHER,PLAIN (Ref # 39)	92022-1209	1
HOSE,FUEL INLET (Ref # 40)	92059-1001	1
CLAMP,TUBE (Ref # 41)	92037-1682	2
HOSE,FUEL OVERFLOW (Ref # 42)	92059-1046	1
CLAMP,TUBE,OVERFLOW (Ref # 43)	92037-1142	1
PLUG,PILOT SCREW (Ref # 44)	92066-1051	1
SCREW,PLUG (Ref # 45)	92009-1004	1
HOLDER,CARBURETOR (Ref # 46)	16065-1028	1
SCREW PAN HEAD 6X14 (Ref # 47)	220B0614	2
CLAMP,CARBURETOR (Ref # 48)	92037-1021	1
SCREW PAN HEAD 5X30 (Ref # 49)	220B0530	1