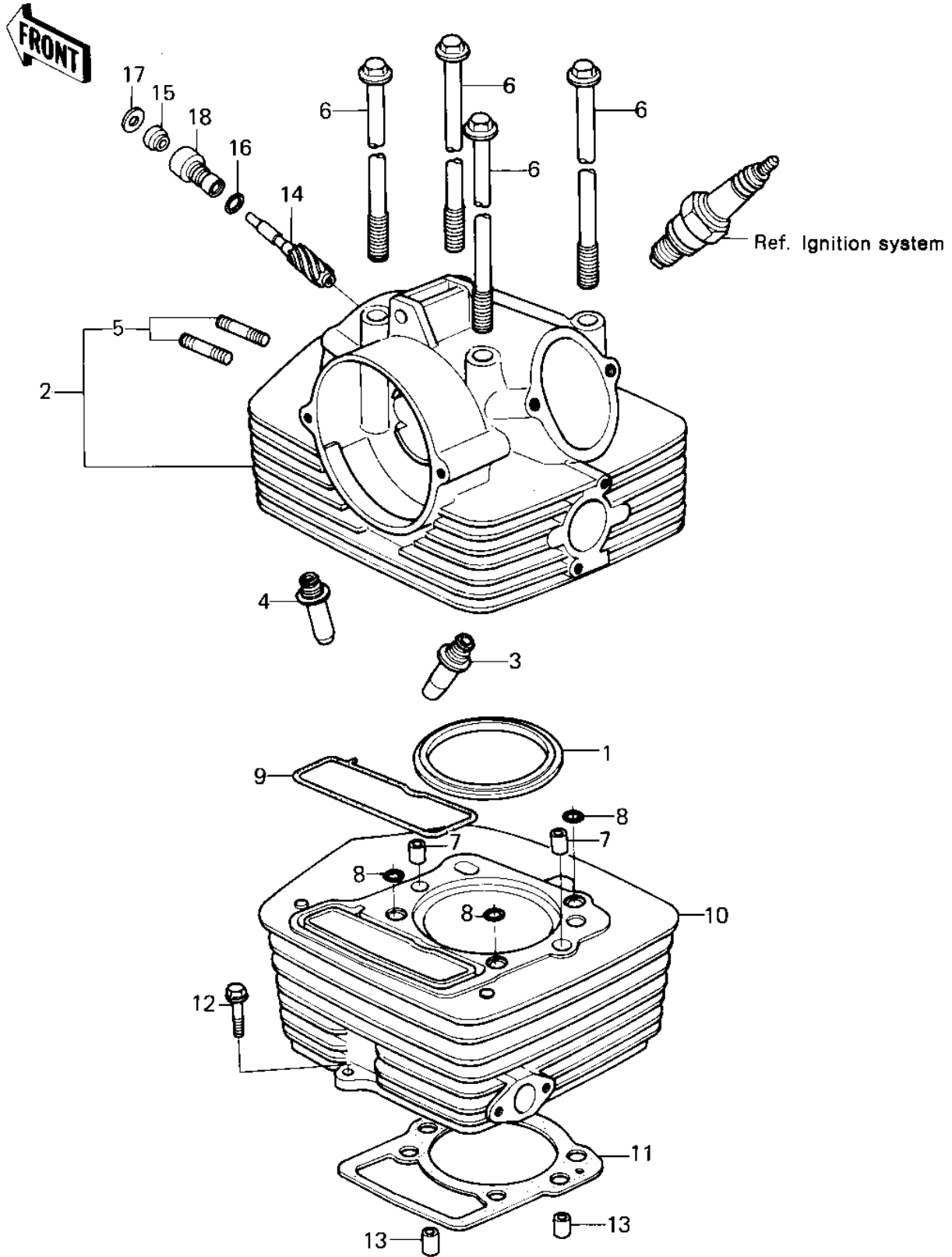


1980 KZ250 PARTS DIAGRAM

CYLINDER HEAD/CYLINDER ('80 D1)



1980 KZ250 PARTS LIST

CYLINDER HEAD/CYLINDER ('80 D1)

ITEM NAME	PART NUMBER	QUANTITY
GASKET,CYLINDER HEAD (Ref # 1)	11004-1002	1
CYLINDER HEAD (Ref # 2)	11002-5013	1
GUIDE,INLET VALVE (Ref # 3)	12013-003	1
GUIDE,EXHAUST VALVE (Ref # 4)	49002-1010	1
STUD,8X30 (Ref # 5)	92004-1069	2
BOLT,8X233 (Ref # 6)	92003-220	4
PIN,DOWEL,10X8.2X14 (Ref # 7)	92043-1037	2
RING-O,10MM (Ref # 8)	92055-1149	3
"O" RING (Ref # 9)	92055-105	1
CYLINDER, (Ref # 10)	11006-1005	1
GASKET,CYLINDER BASE (Ref # 11)	11009-043	1
BOLT (Ref # 12)	92003-202	1
PIN,DOWEL,10X8.2X14 (Ref # 13)	92043-1037	2
GEAR,TACHOMETER (Ref # 14)	13223-012	1
OIL SEAL (Ref # 15)	92050-075	1
RING-O,10MM (Ref # 16)	92055-1149	1
GASKET,TACHO GEAR (Ref # 17)	92065-104	1
GUIDE,TACHOMETER GEAR (Ref # 18)	92087-011	1