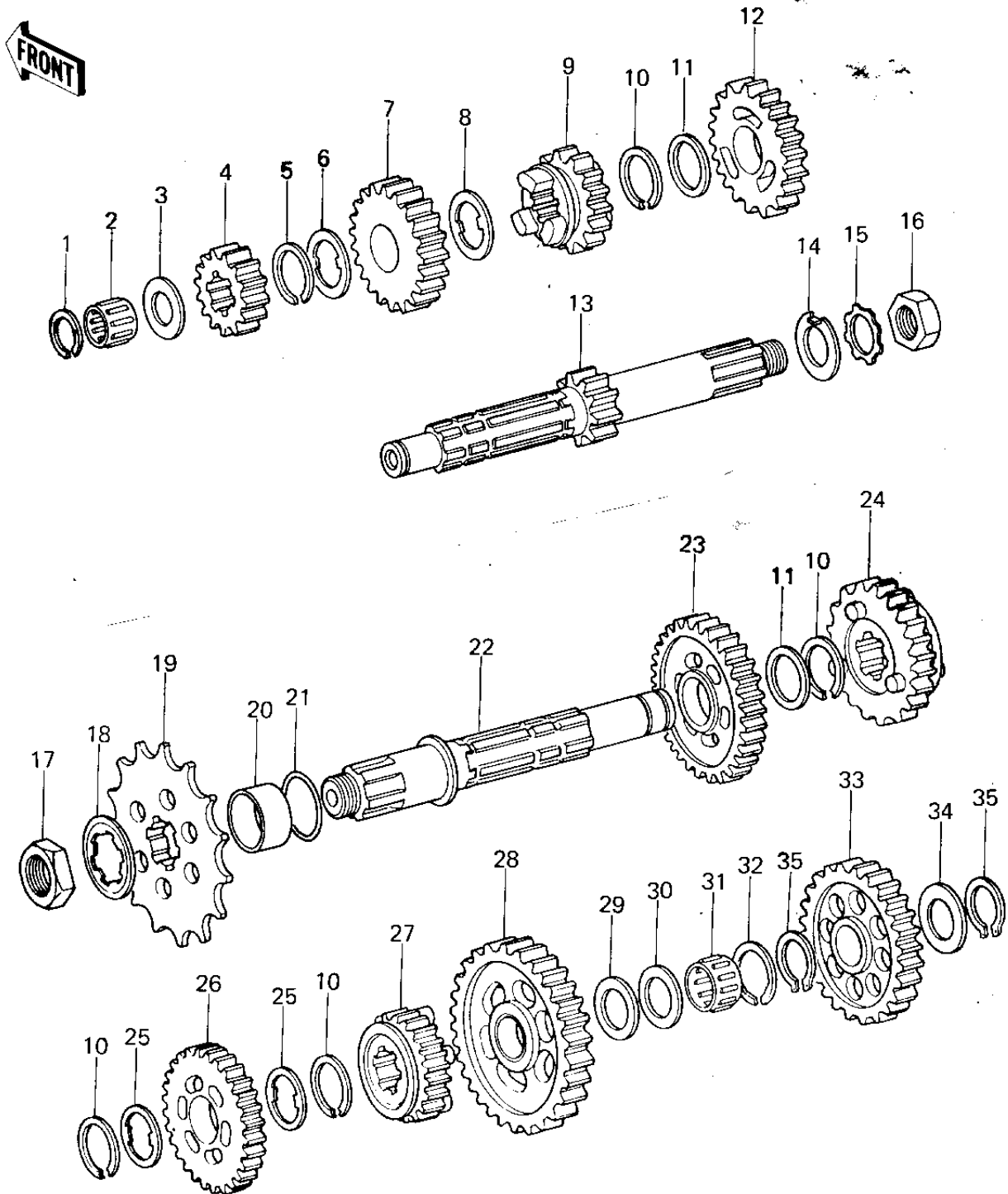


# 1978 KX250-A4 PARTS DIAGRAM

TRANSMISSION (78-79)



# 1978 KX250-A4 PARTS LIST

TRANSMISSION (78-79)

ITEM NAME	PART NUMBER	QUANTITY
CIRCLIP,DRIVE SHAFT (Ref # 1)	92033-030	1
BEARING,BALL (Ref # 2)	92046-038	1
WASHER,THRUST,15MM (Ref # 3)	92022-279	1
2ND GEAR,DRIVE SHAFT (Ref # 4)	13129-1073	1
2ND GEAR,DRIVE SHAFT (Ref # 4)	13129-1114	1
CIRCLIP,18MM (Ref # 5)	92033-029	1
WASHER,LOCK (Ref # 6)	92024-059	1
4TH GEAR,DRIVE SHAFT (Ref # 7)	13129-1024	1
WASHER,LOCK (Ref # 8)	92022-1033	1
3RD GEAR,DRIVE SHAFT (Ref # 9)	13129-1023	1
3RD GEAR,DRIVE SHAFT (Ref # 9)	13129-1115	1
CIRCLIP,25MM (Ref # 10)	92033-025	4
WASHER-PLAIN (Ref # 11)	92022-198	2
TOP GEAR,DRIVE SHAFT (Ref # 12)	13129-1028	1
SHAFT,DRIVE (Ref # 13)	13127-1002	1
SHAFT,DRIVE (Ref # 13)	13127-1013	1
WASHER,16.8X32X1.6 (Ref # 14)	92022-1277	1
WASHER,LOCK,16MM (Ref # 15)	464H1600	1
NUT,16M/M (Ref # 16)	92015-1016	1
NUT BEARING ADJUST (Ref # 17)	42045-008	1
WASHER,LOCK (Ref # 18)	92024-065	1
ENGINE SPROCKET,14T (Ref # 19)	13144-1006	1
COLLAR-ENG SPROKET (Ref # 20)	92027-163	1
"O" RING (Ref # 21)	92055-035	1
SHAFT,OUTPUT (Ref # 22)	13128-1003	1
2ND GEAR,OUTPUT SHAFT (Ref # 23)	13129-1025	1
2ND GEAR,OUTPUT SHAFT (Ref # 23)	13129-1117	1
4TH GEAR,OUTPUT SHAFT (Ref # 24)	13129-1027	1
WASHER-LOCK (Ref # 25)	92024-039	2

# 1978 KX250-A4 PARTS LIST

TRANSMISSION (78-79)

ITEM NAME	PART NUMBER	QUANTITY
3RD GEAR,OUTPUT SHAFT (Ref # 26)	13129-1026	1
3RD GEAR,OUTPUT SHAFT (Ref # 26)	13129-1118	1
TOP GEAR,OUTPUT 20T (Ref # 27)	13137-030	1
LOW GEAR,OUTPUT 28T (Ref # 28)	13129-052	1
LOW GEAR,OUTPUT SHAFT (Ref # 28)	13129-1116	1
WASHER,PLAIN (Ref # 29)	92022-280	1
WASHER,PLAIN (Ref # 30)	92022-281	1
BEARING-NEEDLE (Ref # 31)	92046-1184	1
CIRCLIP,16MM (Ref # 32)	92033-032	1
IDLE GEAR,KICKSTARTER (Ref # 33)	59051-1003	1
WASHER-THRUST (Ref # 34)	92022-197	2
CIRCLIP 16MM (Ref # 35)	480J1600	1