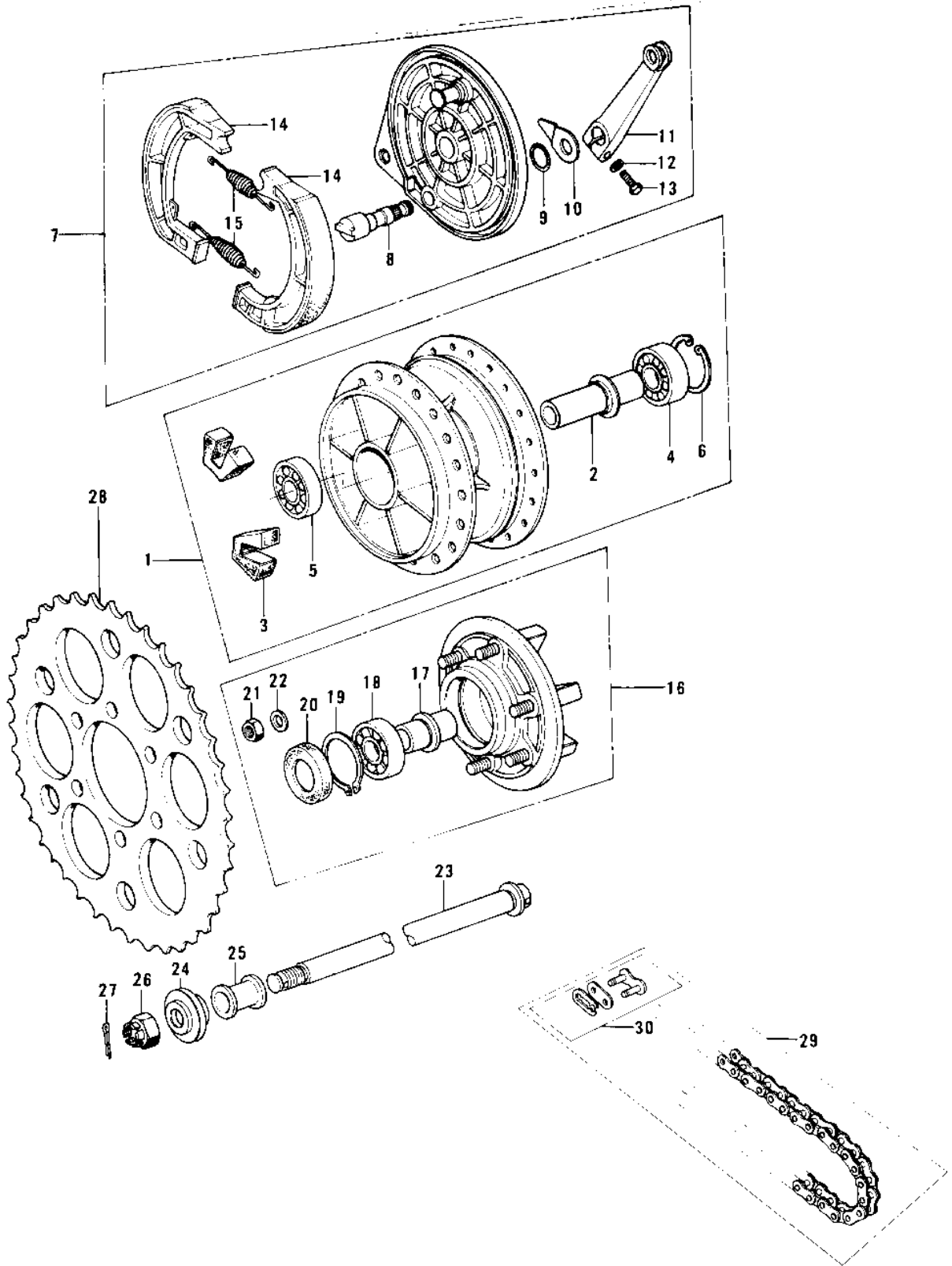


1975 KX250-A PARTS DIAGRAM

REAR HUB/BRAKE/CHAIN (KX250-A/A3)



1975 KX250-A PARTS LIST

REAR HUB/BRAKE/CHAIN (KX250-A/A3)

ITEM NAME	PART NUMBER	QUANTITY
DRUM ASSY,RR BRK,BLK (Ref # 1)	42005-045-21	
COLLAR,RR BRK DRUM (Ref # 2)	42010-028	
DAMPER,REAR HUB SHOCK (Ref # 3)	42014-024	
BEARING-BALL (Ref # 4)	601B6303U	
BEARING BALL #6303 (Ref # 5)	601B6303	
CIRCLIP,47M/M (Ref # 6)	92033-1042	
PANEL ASSY, REAR BRAKE (Ref # 7)	42006-059-21	
CAM SHAFT,RR BRK PNL (Ref # 8)	42026-016	
DUST SHIELD BRAKE CAM (Ref # 9)	41051-001	
INDICATOR,FR BRK SHOE (Ref # 10)	41085-017	
LEVER,REAR BRAKE CAM (Ref # 11)	42029-038	
BOLT-UPSET (Ref # 12)	112G0625	
WASHER PLAIN 6MM (Ref # 13)	410B0600	
SHOE,BRAKE (Ref # 14)	42019-011	
SPRING-BRAKE SHOE (Ref # 15)	42020-004	
COUPLING ASSY,RR BRK (Ref # 16)	42008-027	
SLEEVE,COUPLING (Ref # 17)	42036-023	
BEARING BALL #6205 (Ref # 18)	601B6205	
CIRCLIP,62M/M (Ref # 19)	92033-1044	
OIL SEAL WTC35527 (Ref # 20)	92052-006	
NUT,8MM (Ref # 21)	92019-018	
WASHER PLAIN 6MM (Ref # 22)	410B0600	
AXLE,REAR (Ref # 23)	42031-051	
COLLAR,REAR AXLE (Ref # 24)	42032-055	
COLLAR,REAR AXLE (Ref # 25)	42032-056	
NUT CASTLE,16MM (Ref # 26)	92015-055	
PIN-COTTER,4.0X35 (Ref # 27)	550D4035	
REAR SPROCKET 48T (Ref # 28)	42041-154	
REAR SPROCKET 46T (Ref # 28)	42041-155	

1975 KX250-A PARTS LIST

REAR HUB/BRAKE/CHAIN (KX250-A/A3)

ITEM NAME	PART NUMBER	QUANTITY
REAR SPROCKET 50T (Ref # 28)	42041-156	
DR CHAIN 520X106 (Ref # 29)	92057-097	
92058-1051 (Canada) (Ref # 30)	92058-020	