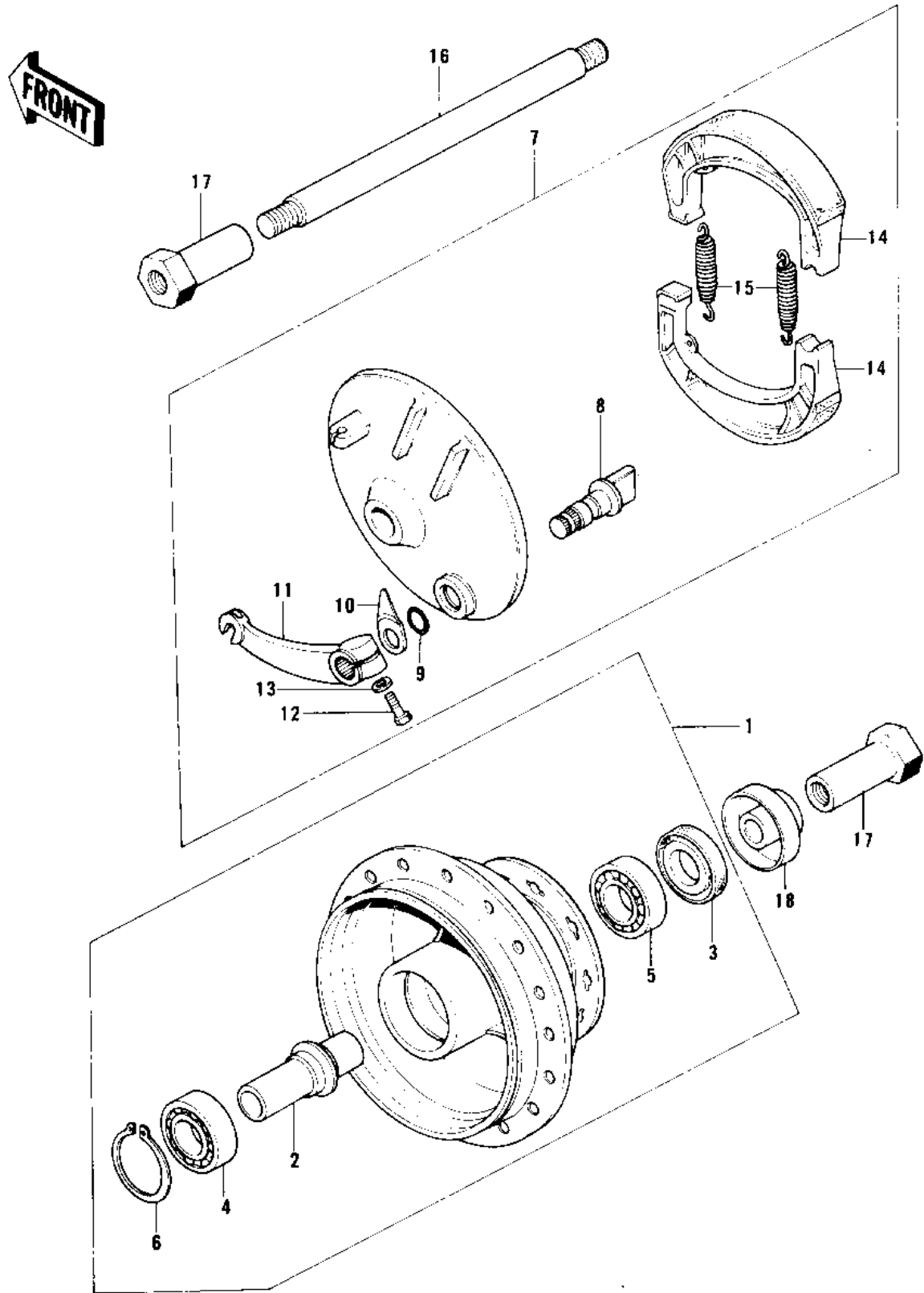


1976 KX250-A3 PARTS DIAGRAM

FRONT HUB/BRAKE (KX250-A/A3)



1976 KX250-A3 PARTS LIST

FRONT HUB/BRAKE (KX250-A/A3)

| ITEM NAME | PART NUMBER | QUANTITY |
|----------------------------------|--------------|----------|
| DRUM-ASSY,FR BRK,F.BK (Ref # 1) | 41034-039-21 | |
| COLLAR,FR BRK DRUM (Ref # 2) | 41039-027 | |
| OIL SEAL,#22427 (Ref # 3) | 654A224207 | |
| BEARING,FRONT DRUM (Ref # 4) | 92045-033 | |
| BEARING BALL #6302 (Ref # 5) | 601B6302 | |
| CIRCLIP,42MM (Ref # 6) | 92033-1041 | |
| PANEL-ASY,FR BRK BLK (Ref # 7) | 41035-065-21 | |
| CAM SHAFT,REAR BRAKE (Ref # 8) | 42026-021 | |
| DUST SHIELD BRAKE CAM (Ref # 9) | 41051-001 | |
| INDICATOR,FR BRK SHOE (Ref # 10) | 41085-017 | |
| LEVER,FRONT BRAKE CAM (Ref # 11) | 41053-023 | |
| BOLT-UPSET (Ref # 12) | 112G0625 | |
| WASHER PLAIN 6MM (Ref # 13) | 410B0600 | |
| SHOE-BRAKE (Ref # 14) | 41048-1068 | |
| SPRING-BRAKE SHOE (Ref # 15) | 42020-004 | |
| AXLE,FRONT (Ref # 16) | 41068-048 | |
| COLLAR,FRONT AXLE (Ref # 17) | 41069-031 | |
| COLLAR,FRONT AXLE (Ref # 18) | 41069-030 | |