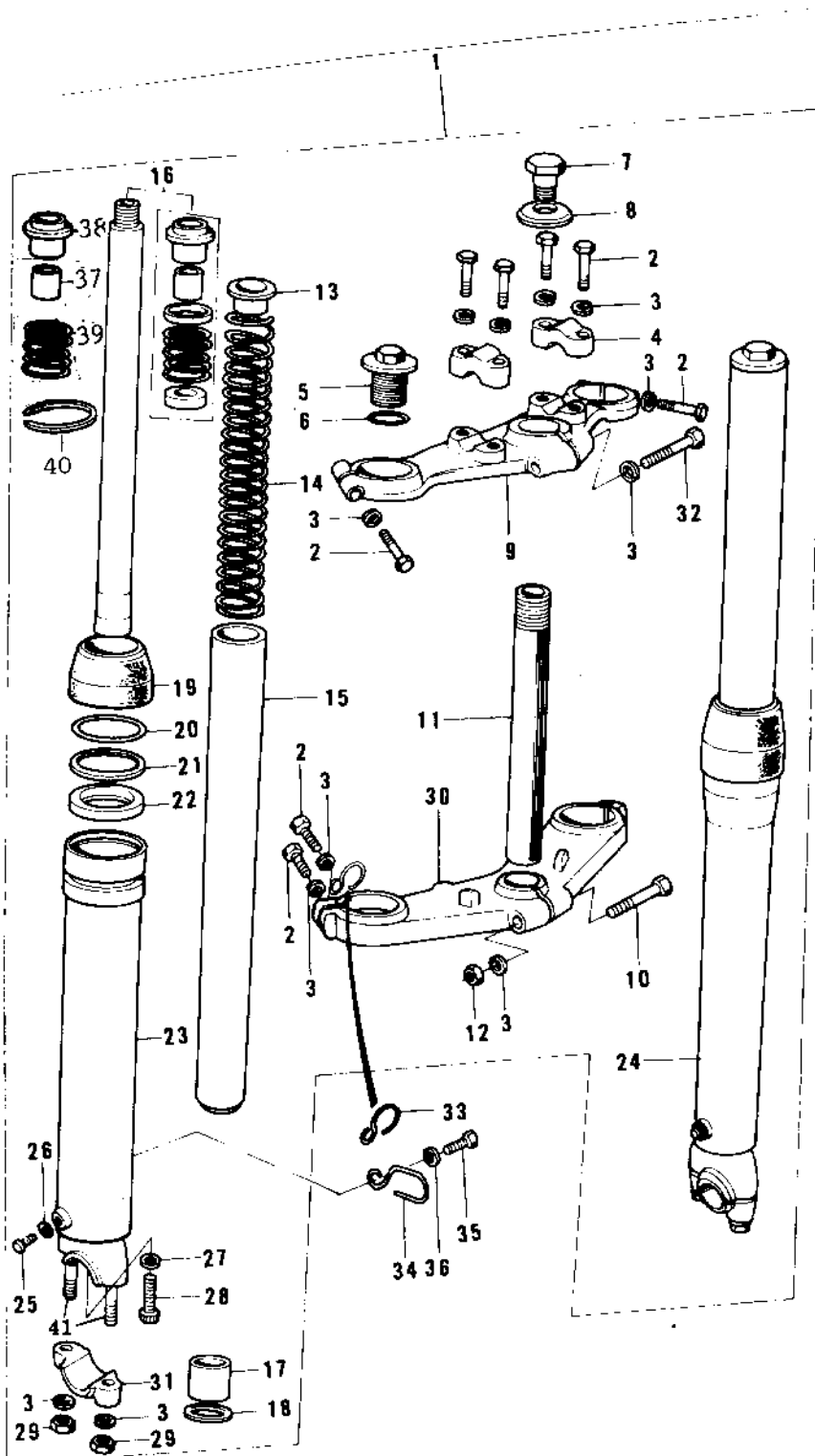


# 1976 KX250-A3 PARTS DIAGRAM

FRONT FORK (KX250-A/A3)



REF



# 1976 KX250-A3 PARTS LIST

## FRONT FORK (KX250-A/A3)

ITEM NAME	PART NUMBER	QUANTITY
FRONT FORK ASSY (Ref # 1)	44001-130	
FORK-FRONT (Ref # 1)	44001-156	
BOLT-STEERING STEM HD (Ref # 2)	44041-044	
WASHER SPRING 8MM (Ref # 3)	461F0800	
HOLDER (Ref # 4)	46012-011	
BOLT-FORK FITTING (Ref # 5)	44041-037	
'O' RING FORK TOP (Ref # 6)	44046-015	
BOLT,FORK TOP (Ref # 7)	44041-065	
WASHER,FORK TOP BOLT (Ref # 8)	44043-055	
HEAD,STEERING STEM (Ref # 9)	44039-062	
BOLT,HEX HEAD (Ref # 10)	44041-066	
SHAFT,STEERING STEM (Ref # 11)	44052-008	
NUT,LOCK,8MM (Ref # 12)	92015-1124	
GUIDE,FORK SPRING (Ref # 13)	44028-031	
GUIDE,FORK SPRING (Ref # 13)	44028-033	
SPRING,FORK (Ref # 14)	44026-052	
SPRING,FORK INNER (Ref # 14)	44026-063	
TUBE,FORK INNER (Ref # 15)	44013-046	
CYLINDER-FORK (Ref # 16)	44022-017	
PISTON,FORK (Ref # 17)	44018-008	
CIRCLIP,FORK (Ref # 18)	44044-018	
DUST SHIELD,FORK (Ref # 19)	44010-025	
RING-SNAP,FORK OIL (Ref # 20)	92033-1100	
WASHER-OIL SEAL FIT (Ref # 21)	44043-044	
SEAL-OIL,FORK OUTER P (Ref # 22)	92049-1216	
TUBE,LH,FORK OUTER (Ref # 23)	44005-054	
TUBE,RH,FORK OUTER (Ref # 24)	44006-052	
SCREW (Ref # 25)	44041-062	
GASKET (Ref # 26)	44045-045	

## 1976 KX250-A3 PARTS LIST

### FRONT FORK (KX250-A/A3)

ITEM NAME	PART NUMBER	QUANTITY
GASKET,FORK CYLINDER (Ref # 27)	44045-057	
BOLT-FORK CYLINDER (Ref # 28)	44041-040	
NUT,8MM (Ref # 29)	311B0800	
STEM,STEERING (Ref # 30)	44038-008	
HOLDER,FRONT AXLE (Ref # 31)	44063-008	
BOLT-STEERING STEM HD (Ref # 32)	44041-042	
CLAMP,CABLE (Ref # 33)	92037-126	
CLAMP,CABLE (Ref # 34)	92037-127	
SCREW PAN HEAD 6X12 (Ref # 35)	220B0612	
WASHER PLAIN 6MM (Ref # 36)	410B0600	
SPACER-FORK SPRG GIDE (Ref # 37)	44028-022	
GUIDE,FORK SPRING (Ref # 38)	44028-034	
SPRING,FORK (Ref # 39)	44026-062	
RING,FORK PISTON (Ref # 40)	44025-004	
STUD,8X35 (Ref # 41)	92004-1009	