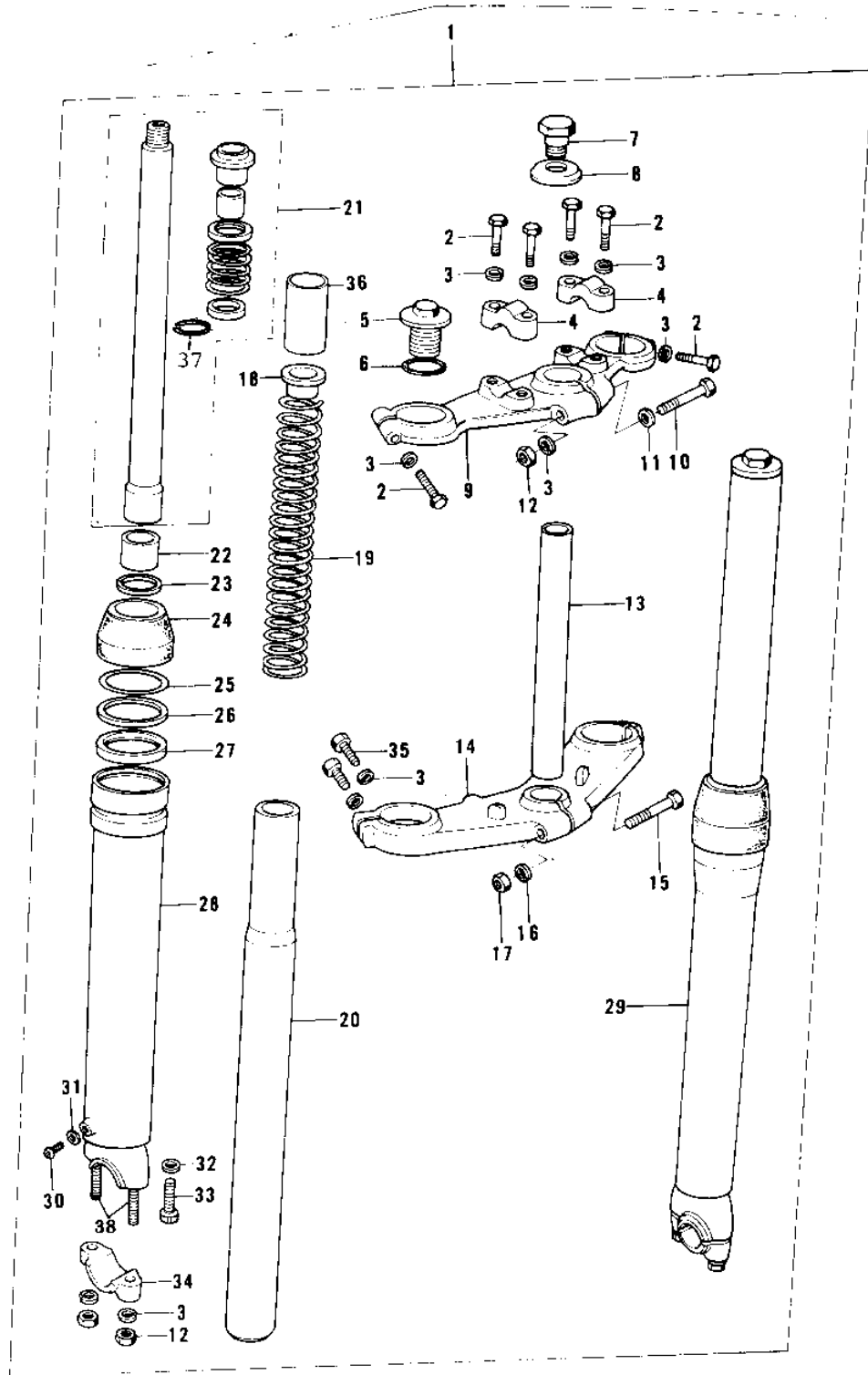


1974 KX250 PARTS DIAGRAM

FRONT FORK (KX250)



1974 KX250 PARTS LIST

FRONT FORK (KX250)

ITEM NAME	PART NUMBER	QUANTITY
FORK-FRONT (Ref # 1)	44001-169	1
BOLT HEX HEAD (Ref # 2)	44041-004	6
WASHER SPRING 8MM (Ref # 3)	461F0800	15
HOLDER (Ref # 4)	46012-011	2
BOLT-FORK FITTING (Ref # 5)	44041-037	2
"O" RING,FORK TOP (Ref # 6)	92055-1012	2
BOLT,FORK TOP (Ref # 7)	44041-065	1
WASHER,FORK TOP BOLT (Ref # 8)	44043-055	1
HEAD,STEERING STEM (Ref # 9)	44039-062	1
BOLT-STEERING STEM HD (Ref # 10)	44041-042	1
WASHER PLAIN 8MM (Ref # 11)	411B0800	1
NUT,8MM (Ref # 12)	311B0800	5
SHAFT,STEERING STEM (Ref # 13)	44052-008	1
STEM,STEERING (Ref # 14)	44038-008	1
BOLT,HEX HEAD (Ref # 15)	44041-066	1
WASHER SPRING 10MM (Ref # 16)	461F1000	1
NUT (10MM) (Ref # 17)	311B1000	1
GUIDE,FORK SPRING (Ref # 18)	44028-033	2
SPRING,FORK INNER (Ref # 19)	44026-066	2
TUBE,FORK INNER (Ref # 20)	44013-052	2
CYLINDER-FORK (Ref # 21)	44022-030	2
PISTON,FORK (Ref # 22)	44018-008	2
CIRCLIP,FORK (Ref # 23)	44044-018	2
CIRCLIP,FORK (Ref # 23)	44044-021	2
DUST SHEILD,FORK (Ref # 24)	44010-032	2
CIRCLIP-OIL SEAL FIT (Ref # 25)	44044-012	2
WASHER-OIL SEAL FIT (Ref # 26)	44043-044	2
SEAL-OIL,FORK OUTER P (Ref # 27)	92049-1216	2
SEAL-OIL,FORK OUTER P (Ref # 27)	92049-1216	2

1974 KX250 PARTS LIST

FRONT FORK (KX250)

ITEM NAME	PART NUMBER	QUANTITY
TUBE,LH,FORK OUTER (Ref # 28)	44005-060	1
TUBE,RH,FORK OUTER (Ref # 29)	44006-058	1
SCREW PAN HEAD 4X8 (Ref # 30)	220B0408	2
GASKET (Ref # 31)	44045-045	2
GASKET,FORK CYLINDER (Ref # 32)	44045-057	2
BOLT-FORK CYLINDER (Ref # 33)	44041-040	2
HOLDER,FRONT AXLE (Ref # 34)	44063-011	2
BOLT (Ref # 35)	44041-083	4
SPACER,FORK SPRING (Ref # 36)	44040-002	2
RING,FORK PISTON (Ref # 37)	44025-004	2
STUD,8X35 (Ref # 38)	92004-1009	2