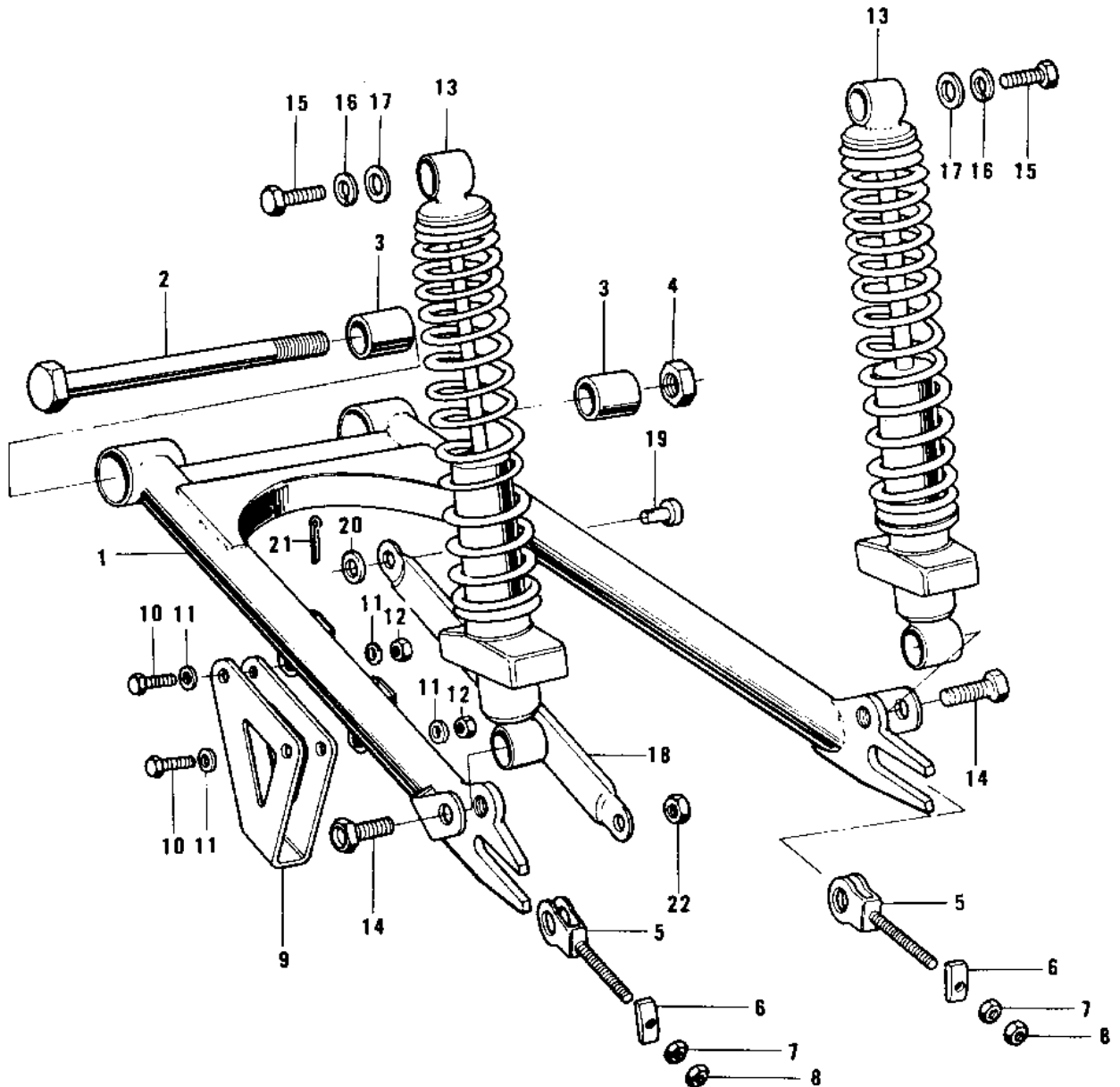


# 1976 KX250-A3 PARTS DIAGRAM

SWING ARM/SHOCK ABSORBERS (KX250)



## 1976 KX250-A3 PARTS LIST

### SWING ARM/SHOCK ABSORBERS (KX250)

ITEM NAME	PART NUMBER	QUANTITY
ARM,SWINGING (Ref # 1)	33001-064	
SHAFT,SWING ARM PIVOT (Ref # 2)	33032-042	
BUSHING,SWING ARM (Ref # 3)	33033-012	
NUT,12MM (Ref # 4)	92019-017	
ADJUSTER,CHAIN (Ref # 5)	33040-055	
PLATE-CHAIN ADJUSTER (Ref # 6)	33041-002	
NUT 8MM (Ref # 7)	311G0800	
NUT,8MM (Ref # 8)	92019-018	
GUARD,CHAIN (Ref # 9)	55020-015	
BOLT,HEX HEAD,6X50 (Ref # 10)	110G0650	
WASHER 6.5X20X1.6T (Ref # 11)	92022-125	
NUT,6MM (Ref # 12)	92019-019	
SHOCKABSORBER,REAR (Ref # 13)	45014-094	
BOLT,HEX HEAD,12X35 (Ref # 14)	92001-133	
BOLT-UPSET,6X12 (Ref # 15)	112G0612	
WASHER SPRING 6MM (Ref # 16)	461F0600	
WASHER,PLAIN,6MM (Ref # 17)	92022-286	
TORQUE LINK,RR BRAKE (Ref # 18)	43007-040	
PIN,TORQUE LINK (Ref # 19)	92043-105	
WASHER,PLAIN (Ref # 20)	92022-239	
PIN COTTER 2.0X20 (Ref # 21)	550D2020	
NUT,10MM (Ref # 22)	92019-016	