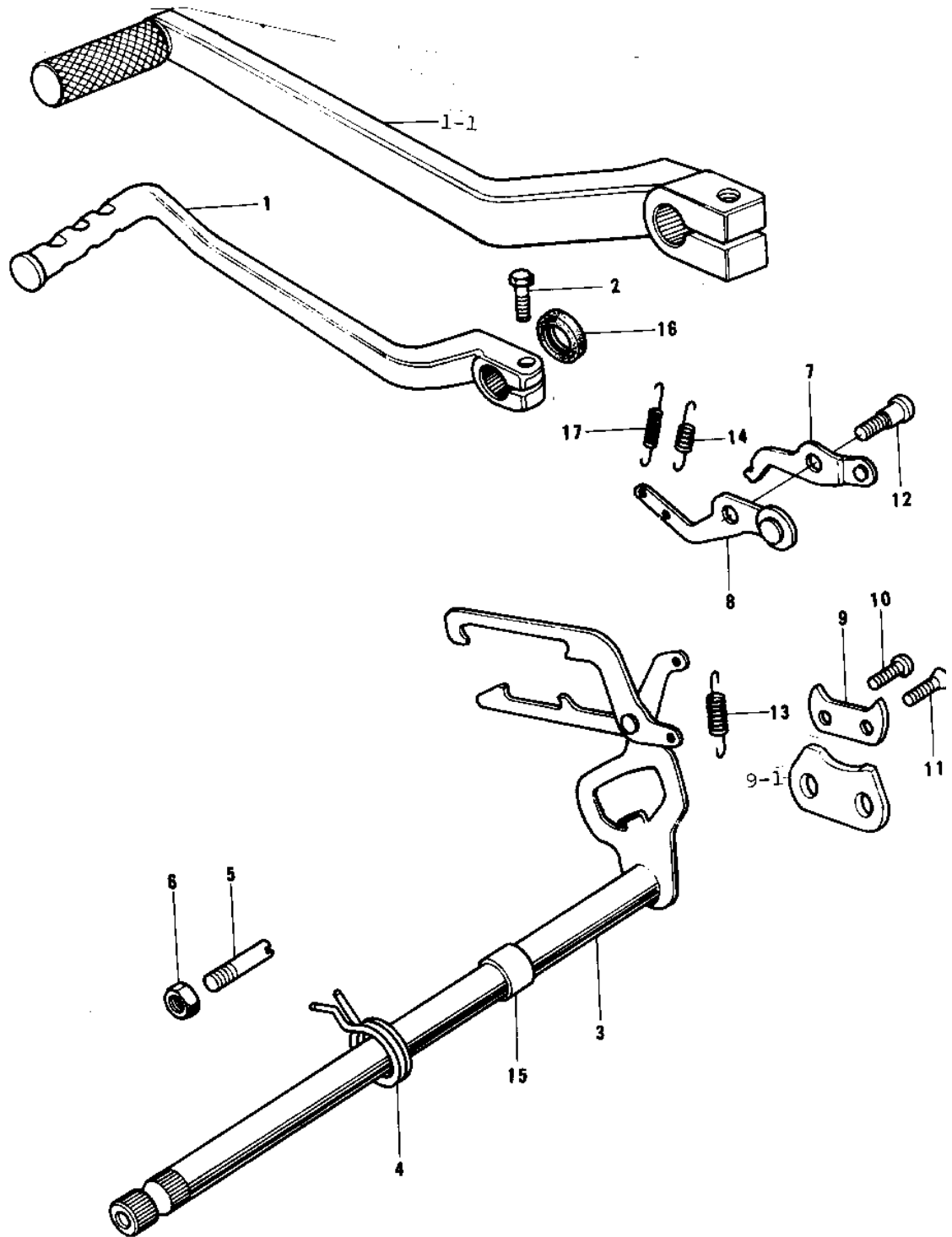


1976 KX250-A3 PARTS DIAGRAM

GEAR CHANGE MECHANISM (74-76)



1976 KX250-A3 PARTS LIST

GEAR CHANGE MECHANISM (74-76)

ITEM NAME	PART NUMBER	QUANTITY
PEDAL,GEAR CHANGE (Ref # 1)	13156-055	
PEDAL,GEAR CHANGE (Ref # 1-1)	13156-059	
BOLT-UPSET,6X20 (Ref # 2)	112G0620	
BOLT-UPSET,6X20 (Ref # 2)	112G0620	
LEVER ASSY,GEAR CHANG (Ref # 3)	13161-033	
SPRING,TENTION (Ref # 4)	92081-1129	
BOLT,RETURN SPRING (Ref # 5)	92001-1401	
NUT 8MM (Ref # 6)	312B0800	
LEVER ASSY,GEAR CHANG (Ref # 7)	13236-006	
LEVER ASSY,GEAR CHANG (Ref # 8)	13236-007	
PLATE,CHANGE DRUM (Ref # 9)	13169-012	
PLATE,CHANGE DRUM (Ref # 9-1)	13169-012	
SCREW PAN HEAD 6X14 (Ref # 10)	220B0614	
SCREW CNTSNK HD 6X14 (Ref # 11)	221B0614	
SCREW-PAN HEAD (Ref # 12)	92011-023	
SPRING-CHANGE LEVER (Ref # 13)	92081-076	
SPRING-COIL (Ref # 14)	92081-077	
COLLAR (Ref # 15)	92027-189	
OIL SEAL,TB13225.5 (Ref # 16)	92051-005	
SPRING (Ref # 17)	92081-119	