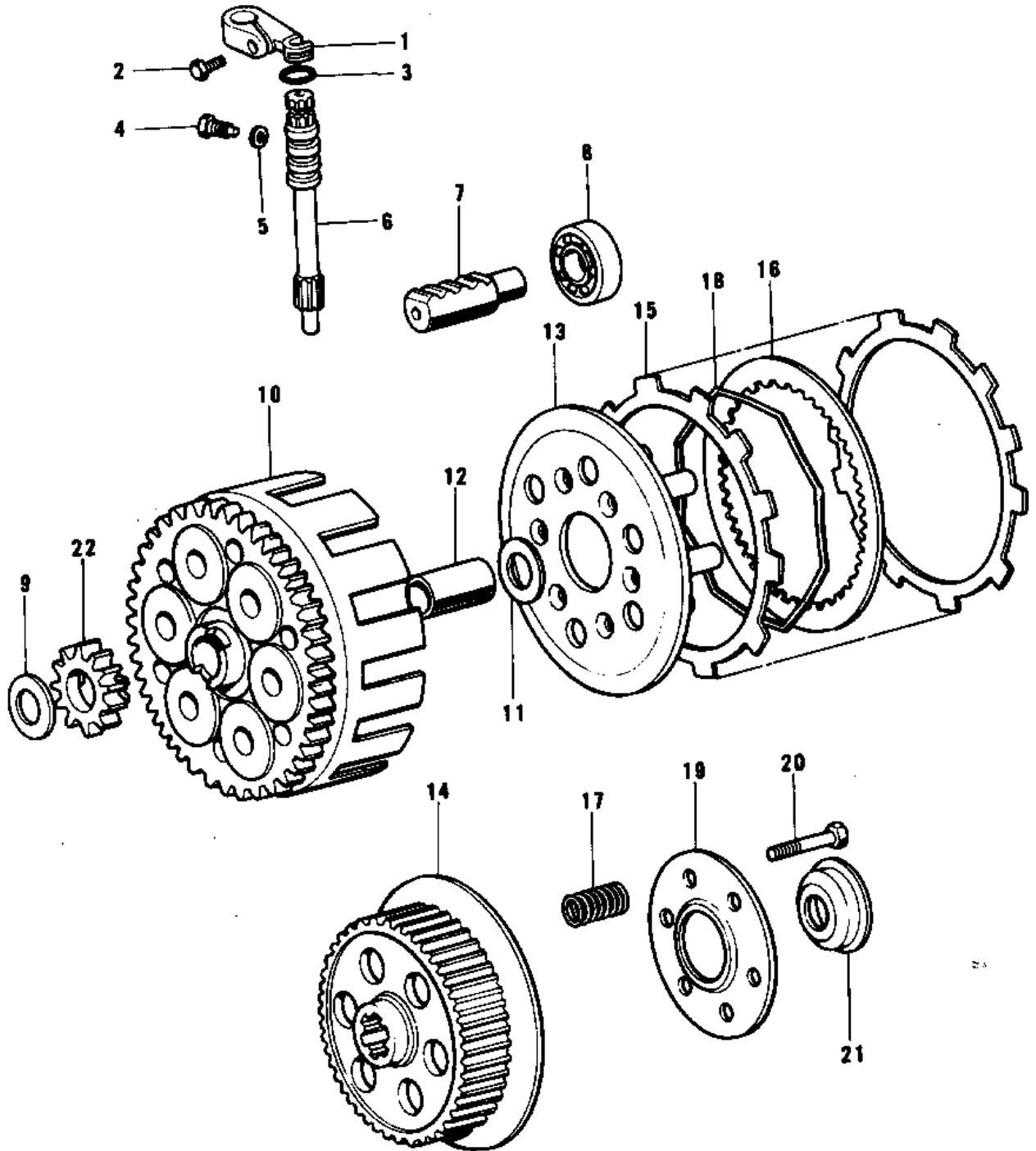


1974 KX250 PARTS DIAGRAM

CLUTCH (74-76)



1974 KX250 PARTS LIST

CLUTCH (74-76)

ITEM NAME	PART NUMBER	QUANTITY
LEVER,CLUTCH RELEASE (Ref # 1)	13168-1042	1
BOLT HEX HEAD 6X18 (Ref # 2)	110N0618	1
"O" RING, 10MM (Ref # 3)	670B2010	2
BOLT,CLUTCH RELEASE (Ref # 4)	92003-130	1
GASKET,R.H ENG COVER (Ref # 5)	92065-092	1
SHAFT,CLUTCH RELEASE (Ref # 6)	13106-008	1
ROD,CLUTCH PUSH (Ref # 7)	13116-025	1
BEARING,BALL #627 (Ref # 8)	92045-026	1
WASHER,CLUTCH (Ref # 9)	92022-031	1
HOUSING,CLUTCH (Ref # 10)	13095-043	1
WASHER,CLUTCH THRUST (Ref # 11)	92022-282	1
BUSHING,CLUTCH (Ref # 12)	92028-150	1
WHEEL,CLUTCH (Ref # 13)	13086-016	1
HUB,CLUTCH (Ref # 14)	13087-039	1
PLATE,CLUTCH FRICTION (Ref # 15)	13088-036	5
PLATE,CLUTCH STEEL (Ref # 16)	13089-025	4
SPRING-CLUTCH (Ref # 17)	92081-083	6
RING,CLUTCH STEEL (Ref # 18)	13229-004	5
PLATE,CLUTCH SPRING (Ref # 19)	13091-016	1
BOLT-UPSET (Ref # 20)	112G0618	6
PUSHER,CLUTCH RELEASE (Ref # 21)	13114-008	1
PINION,KICK GEAR 16T (Ref # 22)	13075-011	1