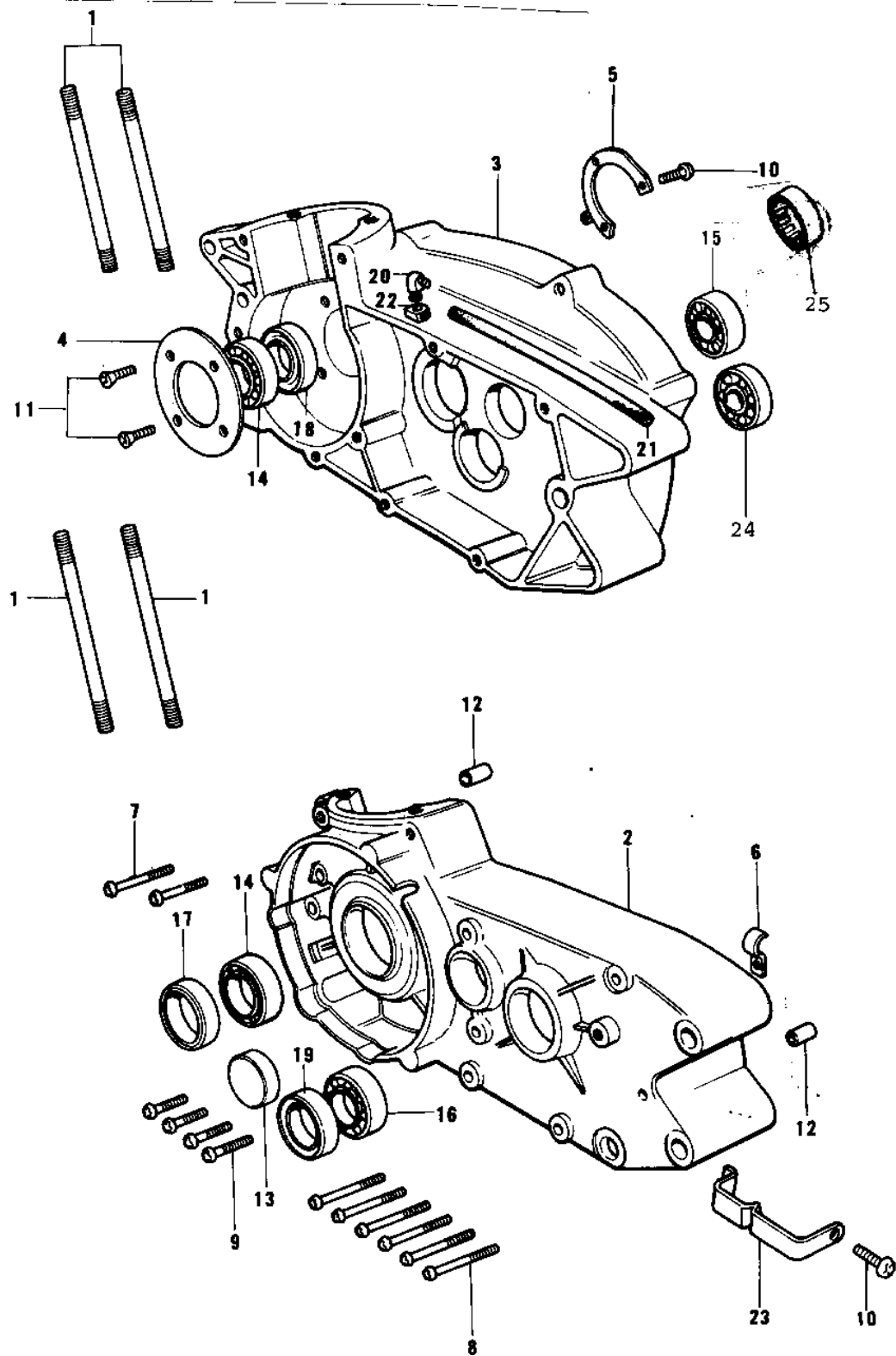


# 1976 KX250-A3 PARTS DIAGRAM

CRANKCASE (74-76)



# 1976 KX250-A3 PARTS LIST

CRANKCASE (74-76)

ITEM NAME	PART NUMBER	QUANTITY
STUD,10X25 (Ref # 1)	172G1025	
CRANKCASE,L.H (Ref # 2)	14002-105	
CRANKCASE,R.H (Ref # 3)	14003-076	
HOLDER,CRANK BEARING (Ref # 4)	14014-030	
HOLDER,CRANK BEARING (Ref # 5)	14014-031	
CLAMP CABLE (Ref # 6)	92037-016	
SCREW PAN HEAD 6X70 (Ref # 7)	220B0670	
SCREW PAN HEAD 6X65 (Ref # 8)	220B0665	
SCREW PAN HEAD 6X45 (Ref # 9)	220B0645	
SCREW PAN HEAD 6X14 (Ref # 10)	220B0614	
SCREW CNTSNK HD 6X14 (Ref # 11)	221B0614	
PIN,DOWEL,10X8.2X14 (Ref # 12)	92043-1037	
CAP,CRANKCASE HOLE (Ref # 13)	92073-025	
BEARING,BALL,#6305 (Ref # 14)	92045-030	
BEARING BALL #6204 (Ref # 15)	601B6204	
BEARING BALL #6205 (Ref # 16)	601B6205	
OIL SEAL,TB25457 (Ref # 17)	653B254507	
OIL SEAL TB32457 (Ref # 18)	653B324507	
OIL SEAL TB3040 (Ref # 19)	92050-033	
BREATHER ASSY (Ref # 20)	14069-1001	
TUBE,6X9X750 (Ref # 21)	92059-1372	
GROMMET (Ref # 22)	92071-042	
CLAMP,WIRING HARNESS (Ref # 23)	92037-142	
BALL BEARING,#6203ZC3 (Ref # 24)	601B6203Z	
BEARING,NEEDLE,344012 (Ref # 25)	92046-040	