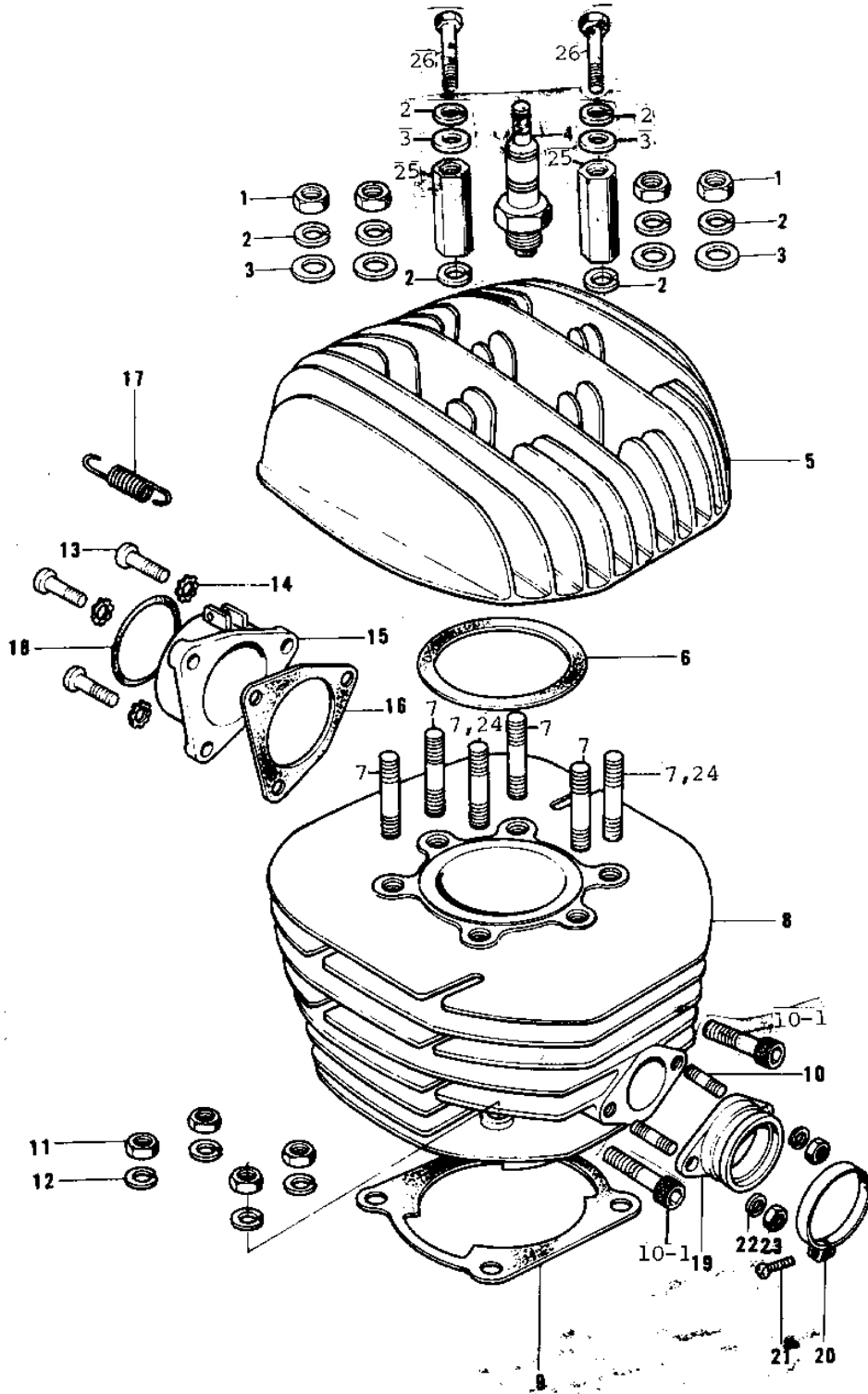


# 1976 KX250-A3 PARTS DIAGRAM

CYLINDER HEAD/CYLINDER (74-76)



# 1976 KX250-A3 PARTS LIST

## CYLINDER HEAD/CYLINDER (74-76)

ITEM NAME	PART NUMBER	QUANTITY
NUT,8MM (Ref # 1)	311B0800	
NUT,8MM (Ref # 1)	311B0800	
WASHER SPRING 8MM (Ref # 2)	461F0800	
WASHER SPRING 8MM (Ref # 2)	461F0800	
WASHER PLAIN 8MM (Ref # 3)	410B0800	
WASHER PLAIN 8MM (Ref # 3)	411B0800	
SPARK PLUG B9EV (Ref # 4)	B9EV	
CYLINDER HEAD,T.BLACK (Ref # 5)	11001-095-21	
GASKET,CYLINDER HEAD (Ref # 6)	11004-065	
STUD 8X40 (Ref # 7)	172G0840	
CYLINDER,F.BLACK (Ref # 8)	11005-121-21	
ELEX CYLINDER,F.BLACK (Ref # 8)	11005-149-21	
GASKET,CYLINDER BASE (Ref # 9)	11009-038	
STUD,8X12 (Ref # 10)	172G0812	
BOLT (Ref # 10-1)	120P0816	
NUT,10MM (Ref # 11)	317B1000	
WASHER SPRING 10MM (Ref # 12)	461F1000	
SCREW PAN HEAD 6X25 (Ref # 13)	220B0625	
WASHER LOCK 6MM (Ref # 14)	464H0600	
HOLDER,EXHAUST PIPE (Ref # 15)	18062-008	
GASKET,EXHAUST HOLDER (Ref # 16)	18050-006	
GASKET,EXHAUST PIPE (Ref # 16)	18050-010	
SPRING-CONNECTOR (Ref # 17)	18071-003	
UNAVAILABLE IN PRICE BOOK (Ref # 18)		
HOLDER,CARBURETOR (Ref # 19)	16065-021	
CLAMP,CARBURETOR HLDR (Ref # 20)	92037-116	
SCREW-PAN-CROS (Ref # 21)	220B0535	
WASHER SPRING 8MM (Ref # 22)	461F0800	
NUT 8MM (Ref # 23)	318B0800	