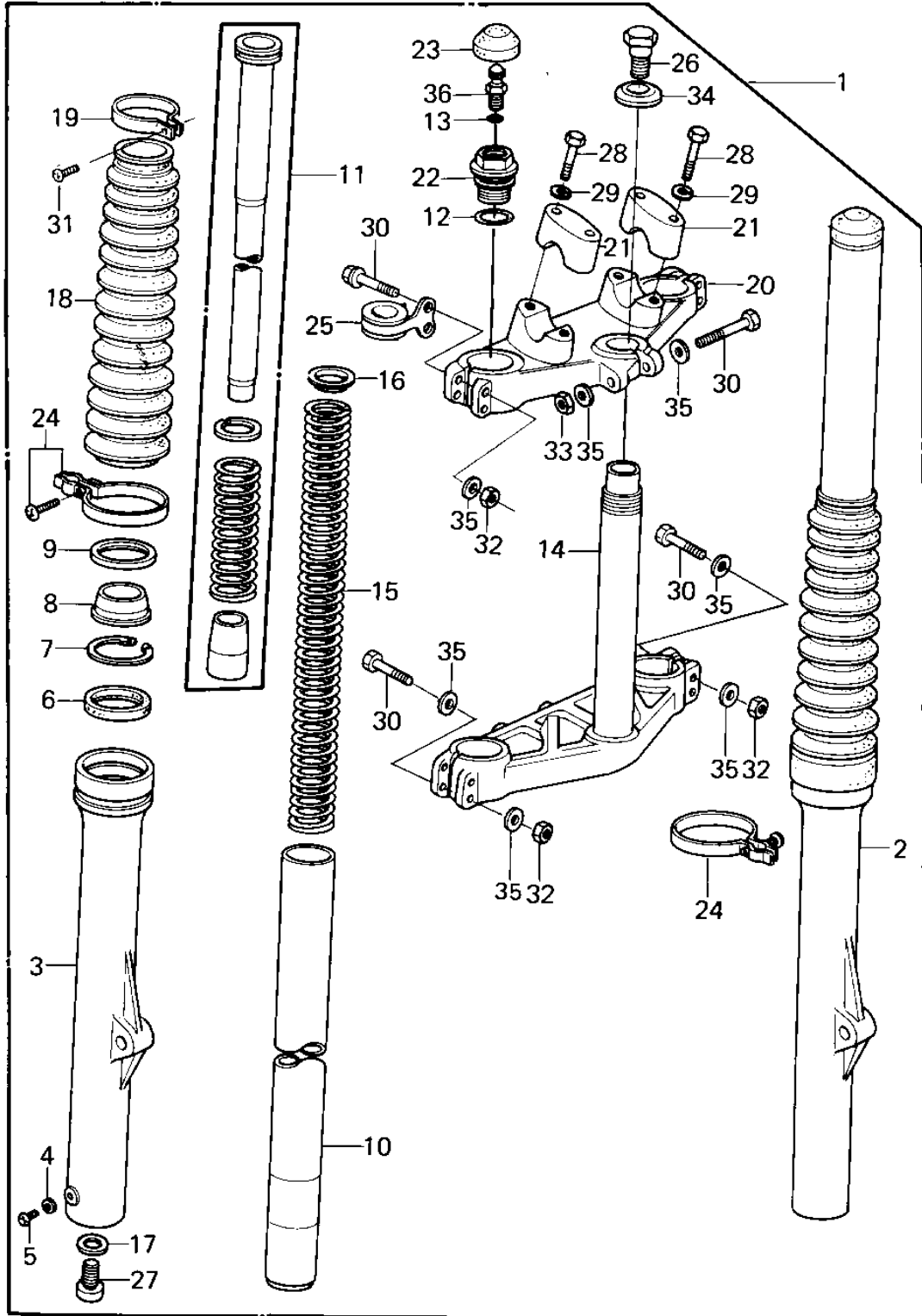


# 1979 KLX250 PARTS DIAGRAM

FRONT FORK (KLX250-A2)



# 1979 KLX250 PARTS LIST

## FRONT FORK (KLX250-A2)

| ITEM NAME                       | PART NUMBER | QUANTITY |
|---------------------------------|-------------|----------|
| FORK-FRONT (Ref # 1)            | 44001-1145  | 1        |
| TUBE,RH,FORK OUTER (Ref # 2)    | 44006-1030  | 1        |
| TUBE,LH,FORK OUTER (Ref # 3)    | 44005-1030  | 1        |
| GASKET FORK DRAIN PLG (Ref # 4) | 44045-002   | 2        |
| SCREW PAN HEAD 4X8 (Ref # 5)    | 220B0408    | 2        |
| OIL,SEAL,FORK OUTER (Ref # 6)   | 92049-1009  | 2        |
| RING,SNAP,FORK OUTER (Ref # 7)  | 92033-1005  | 2        |
| DUST SHIELD,FORK (Ref # 8)      | 92093-1007  | 2        |
| CASE,DUST SHIELD (Ref # 9)      | 32099-1002  | 2        |
| TUBE,FORK INNER (Ref # 10)      | 44013-1026  | 2        |
| CYLINDER-FORK (Ref # 1)         | 44022-1030  | 2        |
| "O" RING,FORK TOP (Ref # 12)    | 92055-1051  | 2        |
| "O" RING,AIR VALVE (Ref # 13)   | 92055-1018  | 2        |
| STEM,STEERING (Ref # 14)        | 44037-1021  | 1        |
| SPRING,FORK (Ref # 15)          | 44026-1038  | 2        |
| GUIDE,FORK SPRING (Ref # 16)    | 44028-1004  | 2        |
| GASKET,FORK CYLINDER (Ref # 17) | 44045-057   | 2        |
| BOOTS,FORK (Ref # 18)           | 49006-1009  | 2        |
| BAND,BOOTS (Ref # 19)           | 92072-1008  | 2        |
| HEAD,STEERING STEM (Ref # 20)   | 44039-1018  | 1        |
| HOLDER,HANDLE BAR (Ref # 21)    | 46012-1003  | 2        |
| CAP,FORK TOP (Ref # 22)         | 44029-1011  | 2        |
| CAP,RUBBER,FORK TOP (Ref # 23)  | 44029-1009  | 2        |
| BAND,BOOTS L.H. (Ref # 24)      | 92072-1011  | 2        |
| CLAMP,CABLE (Ref # 25)          | 92072-1040  | 1        |
| BOLT,FORK TOP (Ref # 26)        | 44041-065   | 1        |
| BOLT-FORK CYLINDER (Ref # 27)   | 44041-040   | 2        |
| BOLT (Ref # 28)                 | 92001-1578  | 4        |
| WASHER SPRING 8MM (Ref # 29)    | 461F0800    | 4        |

# 1979 KLX250 PARTS LIST

## FRONT FORK (KLX250-A2)

| ITEM NAME                   | PART NUMBER | QUANTITY |
|-----------------------------|-------------|----------|
| SCREW-PAN-CROS (Ref # 30)   | 220B0420    | 2        |
| SCREW-PAN-CROS (Ref # 31)   | 220B0420    | 2        |
| NUT 8MM (Ref # 32)          | 311G0800    | 8        |
| NUT,LOCK,8MM (Ref # 33)     | 92015-1124  | 1        |
| WASHER (Ref # 34)           | 44043-052   | 1        |
| WASHER PLAIN 8MM (Ref # 35) | 410B0800    | 16       |
| VALVE ASSY,AIR (Ref # 36)   | 16126-1003  | 2        |