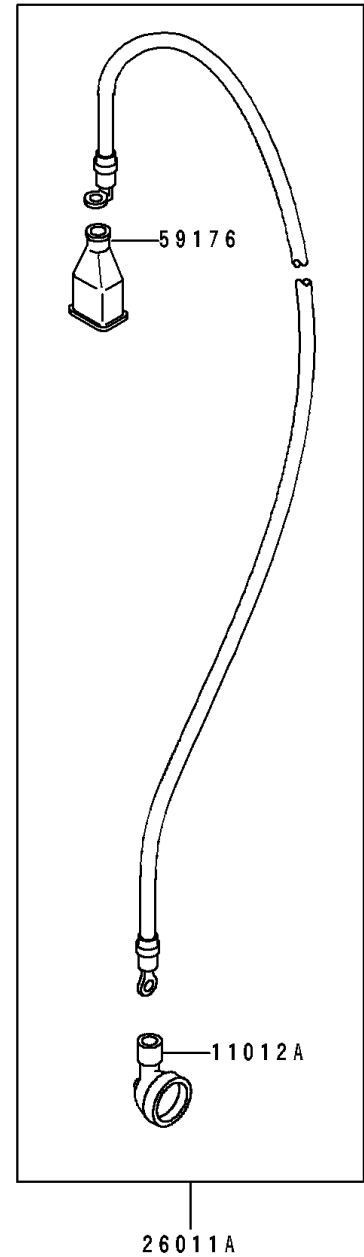
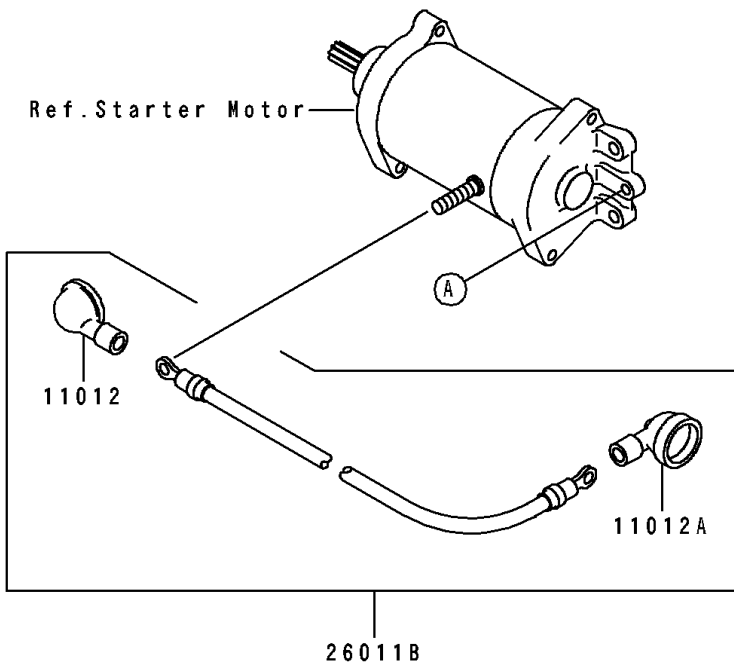
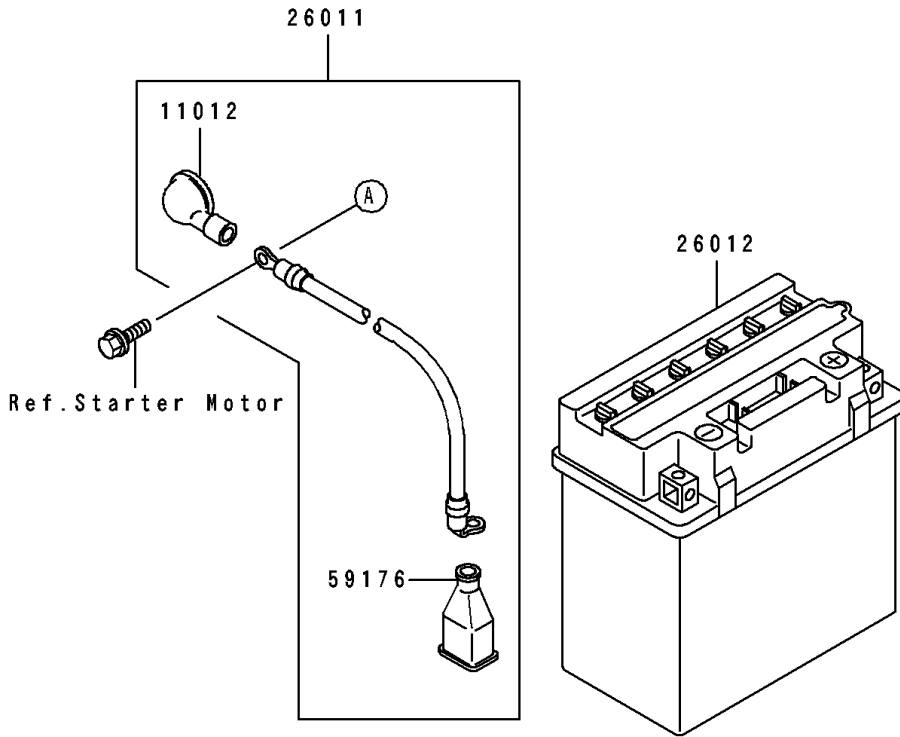


# 1993 650 SX PARTS DIAGRAM

Electrical Equipment

F3181



# 1993 650 SX PARTS LIST

## Electrical Equipment

ITEM NAME	PART NUMBER	QUANTITY
CAP (Ref # 11012)	11012-3004	2
CAP,LEAD WIRE (Ref # 11012A)	11012-3726	2
WIRE-LEAD,BATTERY(-) (Ref # 26011)	26011-3715	1
WIRE-LEAD,BATTERY(+) (Ref # 26011A)	26011-3735	1
WIRE-LEAD,STARTER (Ref # 26011B)	26011-3737	1
BATTERY,YB16CL-B,12V 19AH (Ref # 26012)	26012-3708	1
CAP.,TERMINAL (Ref # 59176)	59176-501	2