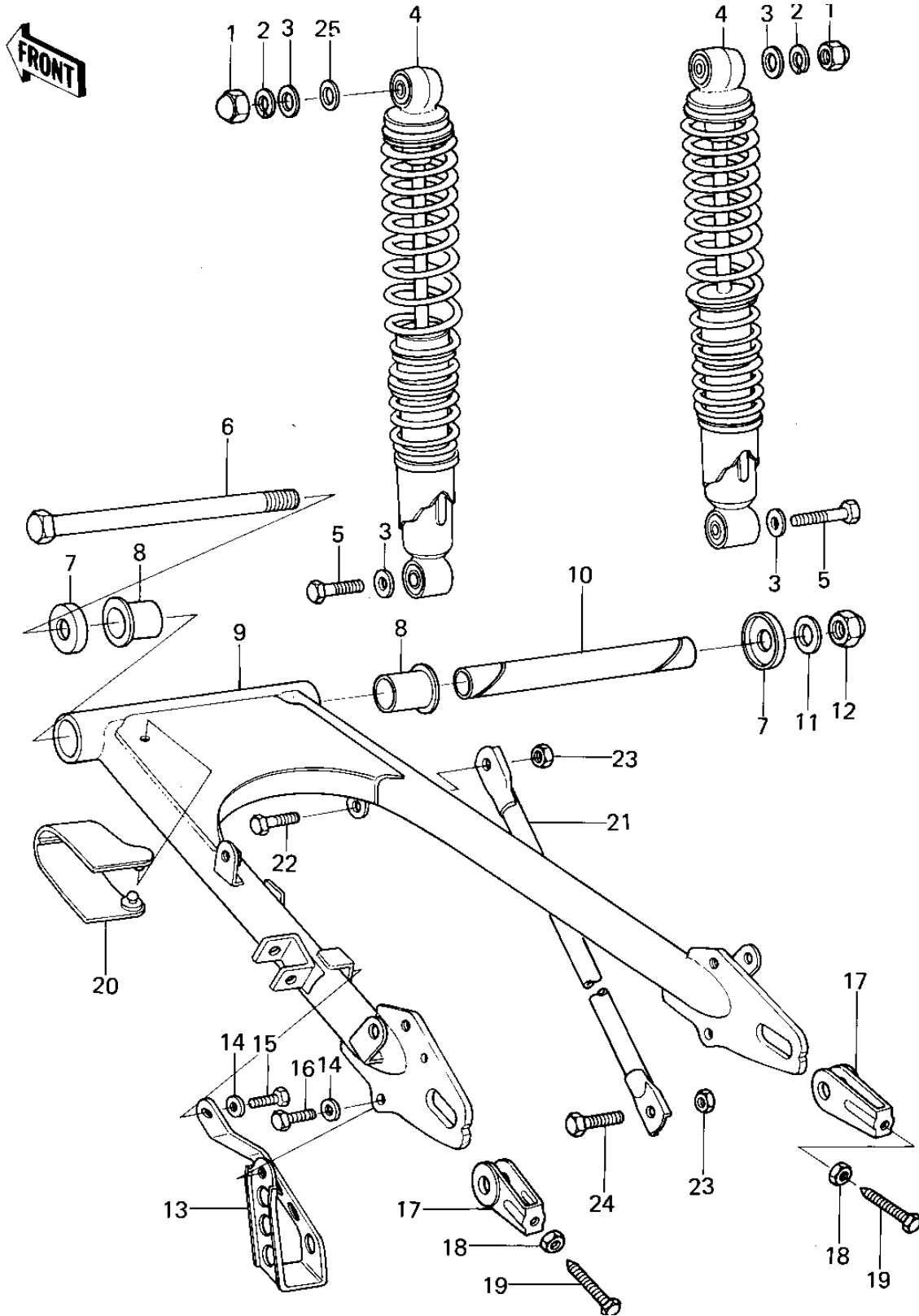


1979 KLR250 PARTS DIAGRAM

SWING ARM/SHOCK ABSORBERS ('78-'79 KL250)



1979 KLR250 PARTS LIST

SWING ARM/SHOCK ABSORBERS (78-79 KL250)

ITEM NAME	PART NUMBER	QUANTITY
NUT SHOCK ABSORBER (Ref # 1)	92020-003	2
WASHER SPRING 10MM (Ref # 2)	461F1000	2
WASHER (Ref # 3)	411F1000	4
SHOCK ABSBR RR (Ref # 4)	45014-1005	2
BOLT,HEX HEAD,10X32 (Ref # 5)	113N1032	2
SHAFT,SWING ARM PIVOT (Ref # 6)	33032-046	1
CAP,SWING ARM (Ref # 7)	11012-1019	2
BUSHING-SWING ARM (Ref # 8)	33033-009	2
SWING ARM (Ref # 9)	33001-1003	1
SLEEVE,SWING ARM (Ref # 10)	42036-1006	1
WASHER PLAIN 8MM (Ref # 11)	411B0800	2
NUT-LOCK,14MM (Ref # 12)	92019-011	1
GUARD,CHAIN (Ref # 13)	55020-1001	1
WASHER PLAIN 8MM (Ref # 14)	411B0800	2
BOLT-SMALL-UPSET,8X14 (Ref # 15)	115B0814	1
BOLT,8X20 (Ref # 16)	115G0820	1
ADJUSTER-CHAIN (Ref # 17)	33040-043	2
NUT 8MM (Ref # 18)	312B0800	2
BOLT,8X50 (Ref # 19)	92001-1399	2
GUARD,CHAIN,FR (Ref # 20)	55020-1063	1
TORQUE LINK,REAR BRAK (Ref # 21)	43007-048	1
BOLT,HEX HEAD,10X22 (Ref # 22)	113G1022	1
NUT,10MM (Ref # 23)	92019-016	2
BOLT,10X28 (Ref # 24)	113G1028	1
WASHER-PL-10.5X26X2.3 (Ref # 25)	92022-044	1