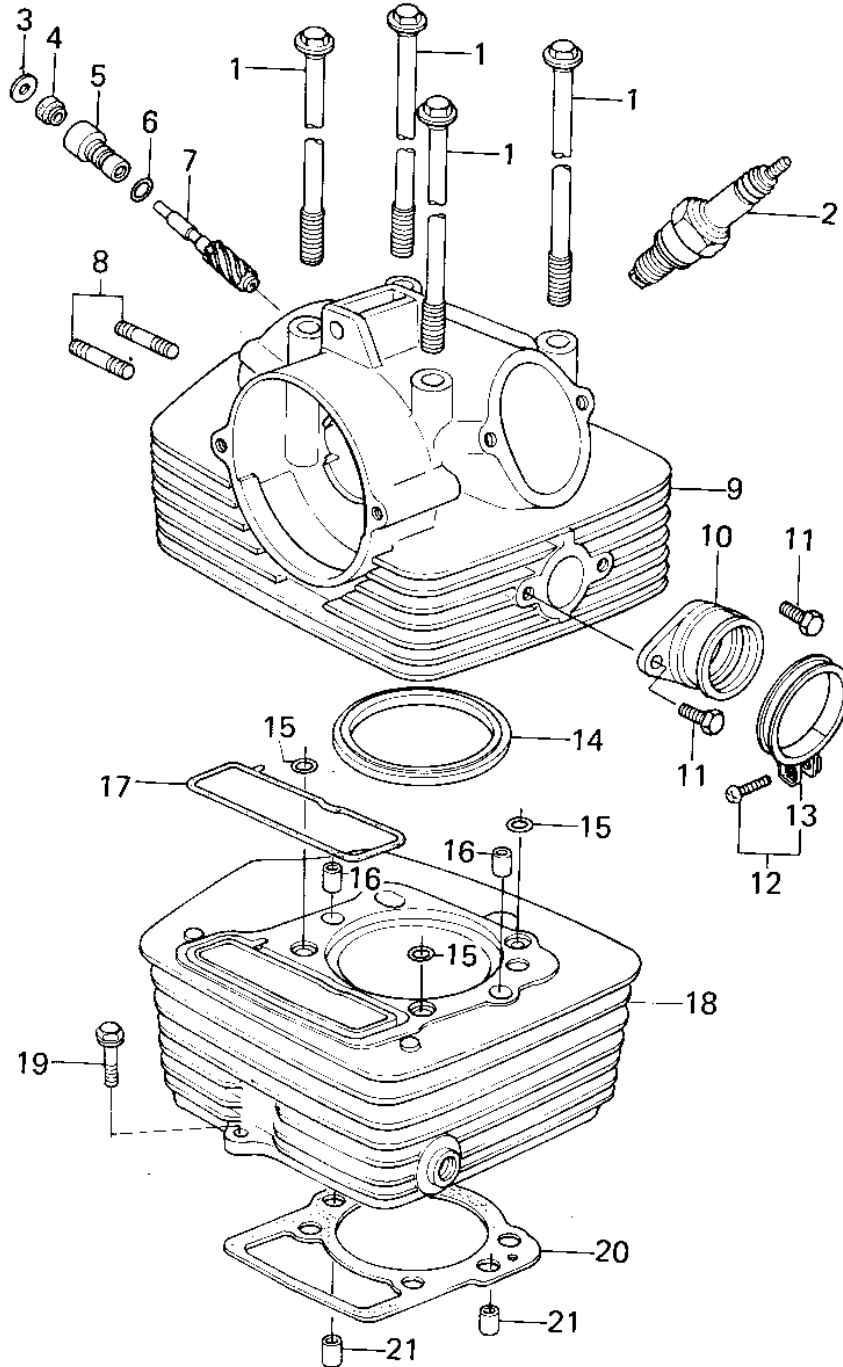


1979 KLR250 PARTS DIAGRAM

CYLINDER HEAD/CYLINDER ('78-'79 KL250-A1)



1979 KLR250 PARTS LIST

CYLINDER HEAD/CYLINDER ('78-'79 KL250-A1)

| ITEM NAME | PART NUMBER | QUANTITY |
|---------------------------------|-------------|----------|
| BOLT,8X233 (Ref # 1) | 92003-220 | 4 |
| SPARK PLUG B7ES (Ref # 2) | B7ES | 1 |
| GASKET,TACHO GEAR (Ref # 3) | 92065-104 | 1 |
| OIL SEAL (Ref # 4) | 92050-075 | 1 |
| GUIDE,TACHOMETER GEAR (Ref # 5) | 92087-011 | 1 |
| RING-O,10MM (Ref # 6) | 92055-1149 | 1 |
| GEAR,TACHOMETER (Ref # 7) | 13223-012 | 1 |
| STUD,6X27 (Ref # 8) | 92004-066 | 2 |
| HEAD ASSY,CYLINDER (Ref # 9) | 11002-5014 | 1 |
| HOLDER,CARBURETOR (Ref # 10) | 16065-1003 | 1 |
| BOLT,HEX HEAD,6X14 (Ref # 11) | 92001-121 | 2 |
| CLAMP (Ref # 12) | 92037-200 | 1 |
| SCREW-PAN-CROS,5X25 (Ref # 13) | 220B0525 | 1 |
| GASKET,CYLINDER HEAD (Ref # 14) | 11004-1002 | 1 |
| RING-O,10MM (Ref # 15) | 92055-1149 | 3 |
| PIN,DOWEL,10X8.2X14 (Ref # 16) | 92043-1037 | 2 |
| "O" RING (Ref # 17) | 92055-105 | 1 |
| CYLINDER (Ref # 18) | 11005-1004 | 1 |
| BOLT (Ref # 19) | 92003-202 | 1 |
| GASKET,CYLINDER BASE (Ref # 20) | 11009-043 | 1 |
| PIN,DOWEL,10X8.2X14 (Ref # 21) | 92043-1037 | 2 |