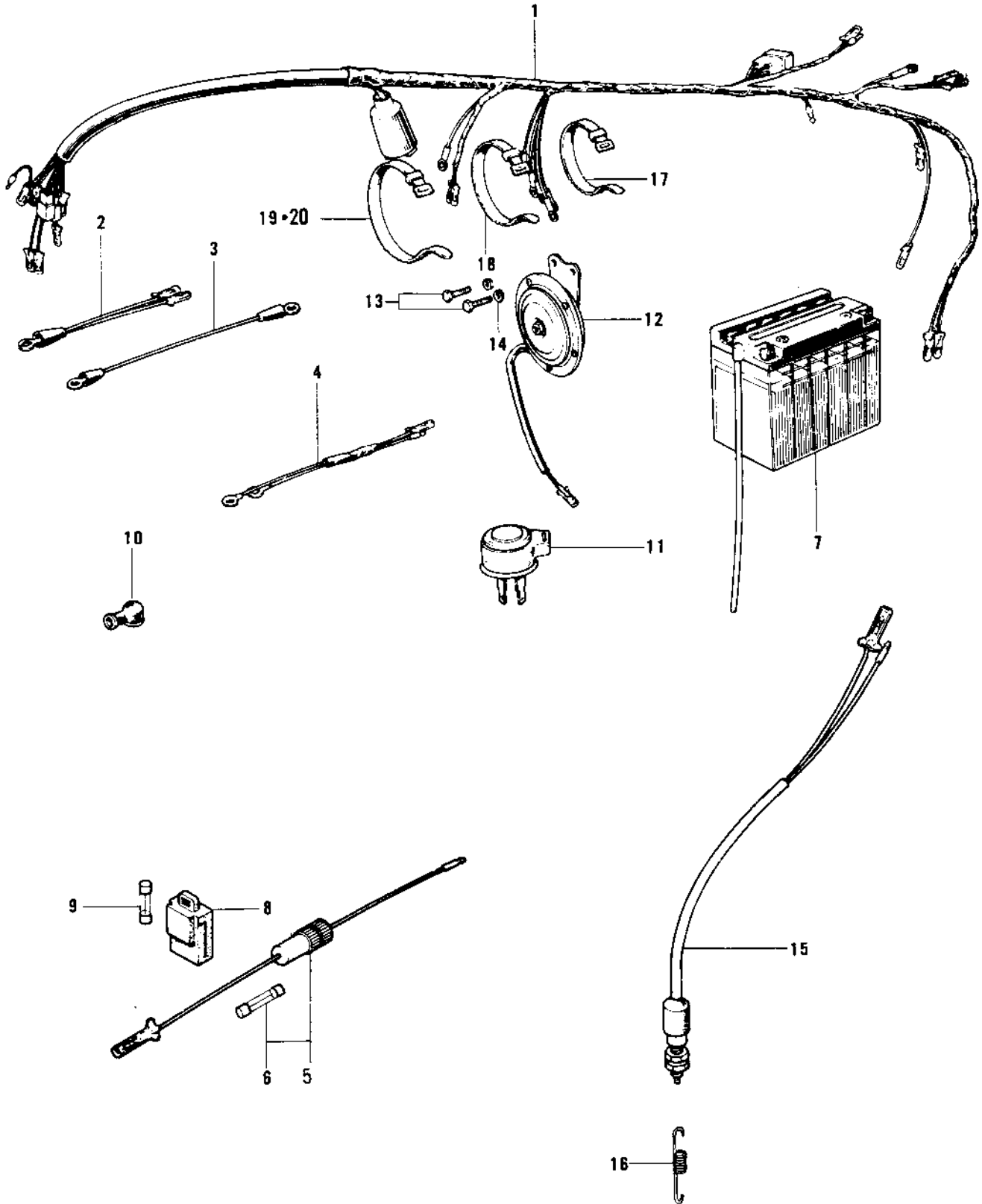


# 1974 Mach I PARTS DIAGRAM

CHASSIS ELECTRICAL EQUIPMENT (S1-A/B/C)



# 1974 Mach I PARTS LIST

## CHASSIS ELECTRICAL EQUIPMENT (S1-A/B/C)

ITEM NAME	PART NUMBER	QUANTITY
WIRING HARNESS-MAIN (Ref # 1)	26001-081	
WIRING HARNESS,MAIN (Ref # 1)	26001-106	
WIRE BATTERY LEAD (Ref # 2)	26010-015	
WIRE,BATTERY LEAD (Ref # 2)	26010-033	
WIRE BATTERY GROUND (Ref # 3)	26010-017	
WIRE-SIGNAL LAMP LEAD (Ref # 4)	26011-064	
FUSE ASSY (Ref # 5)	26004-015	
FUSE ASSY (Ref # 5)	26004-013	
FUSE-20A (Ref # 6)	26006-005	
FUSE 20A (Ref # 6)	26006-002	
FB BAT 12N5.5-4A (Ref # 7)	26012-022	
HOLDER-SPARE FUSE (Ref # 8)	26016-004	
HOLDER,SPARE FUSE (Ref # 8)	26016-002	
FUSE-20A (Ref # 9)	26006-005	
FUSE 20A (Ref # 9)	26006-002	
CAP BAT TERMINAL RUBB (Ref # 10)	92073-001	
RELAY-TURN SIGNAL (Ref # 11)	27002-011	
HORN (Ref # 12)	27003-042	
HORN (Ref # 12)	27003-042	
BOLT HEX HEAD 8X16 (Ref # 13)	116B0816	
WASHER SPRING 8MM (Ref # 14)	461F0800	
SWITCH-BRAKE LAMP (Ref # 15)	27010-020	
SWITCH-BRAKE LAMP (Ref # 15)	27010-015	
SPRING-BRAKE LAMP SW (Ref # 16)	27011-013	
BAND,SHORT (Ref # 17)	92072-030	
BAND,MIDDLE (Ref # 18)	92072-031	
BAND,MIDDLE (Ref # 18)	92072-031	
BAND,LONG (Ref # 19)	92072-032	
BAND,WIRING HARNESS (Ref # 20)	92072-056	