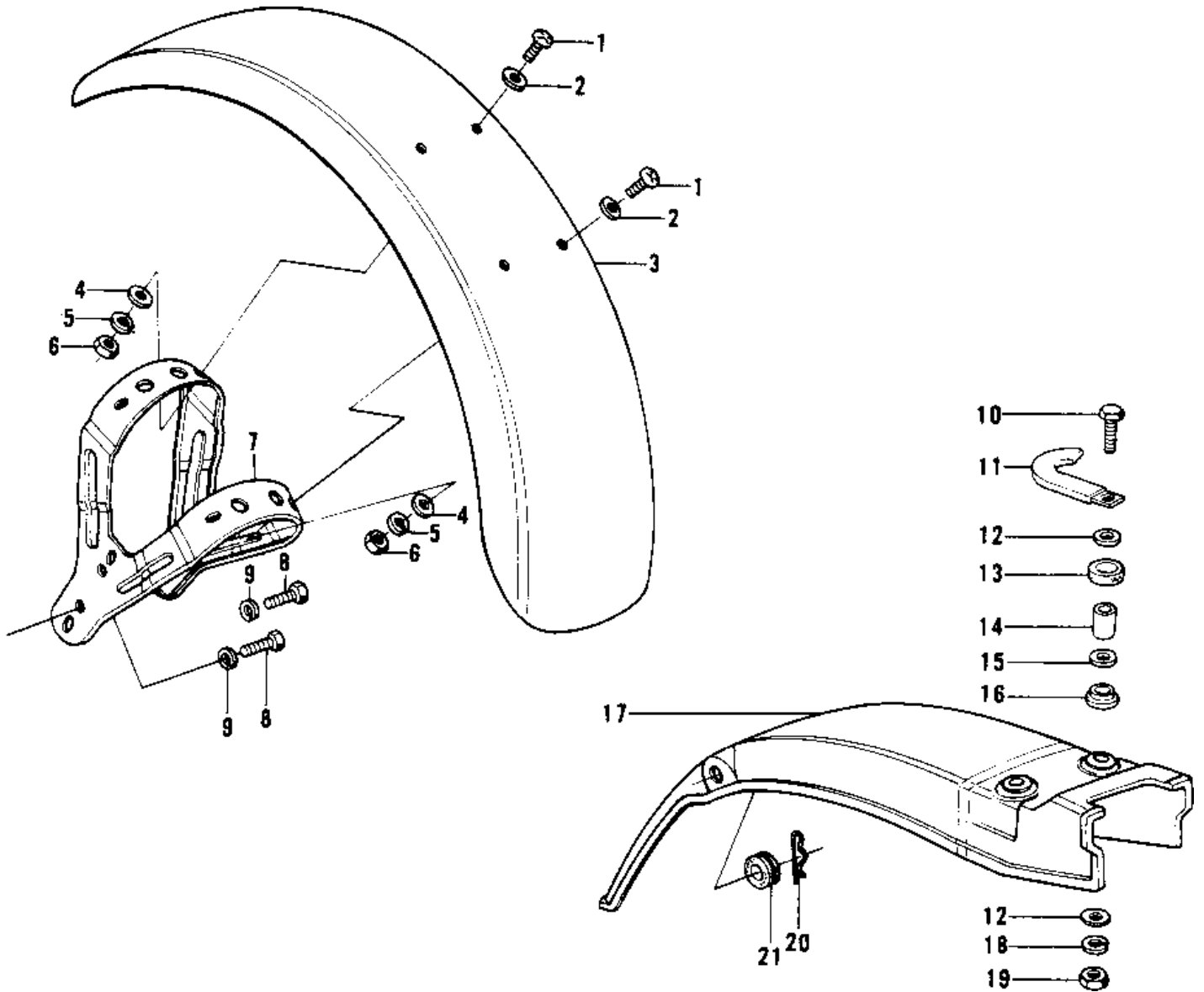


1974 Mach I PARTS DIAGRAM

FENDERS (KH250-A5)



1974 Mach I PARTS LIST

FENDERS (KH250-A5)

ITEM NAME	PART NUMBER	QUANTITY
SCREW PAN HEAD 6X14 (Ref # 1)	220E0614	
WASHER-PLAIN (Ref # 2)	92022-193	
FENDER-FR (Ref # 3)	35004-084	
WASHER PLAIN 6MM (Ref # 4)	411B0600	
WASHER SPRING 6MM (Ref # 5)	461F0600	
NUT 6MM (Ref # 6)	311B0600	
BRACE,FRONT FENDER (Ref # 7)	35009-036	
BOLT SMALL (Ref # 8)	114G0812	
WASHER SPRING 8MM (Ref # 9)	461F0800	
BOLT 6X35 (Ref # 10)	110R0635	
CLAMP,HARNESS (Ref # 11)	92037-113	
WASHER,PLAIN,7MM (Ref # 12)	92022-228	
DAMPER RUBBER,RR FEND (Ref # 13)	92075-121	
COLLAR,REAR FENDER (Ref # 14)	92027-162	
WASHER,PLAIN,7MM (Ref # 15)	92022-227	
DAMPER RUBBER,RR FEND (Ref # 16)	92075-133	
FENDER-RR (Ref # 17)	35022-099	
WASHER SPRING 6MM (Ref # 18)	461F0600	
NUT 6MM (Ref # 19)	311B0600	
COTTER PIN (Ref # 20)	92041-003	
DAMPER RUBBER (Ref # 21)	92075-105	