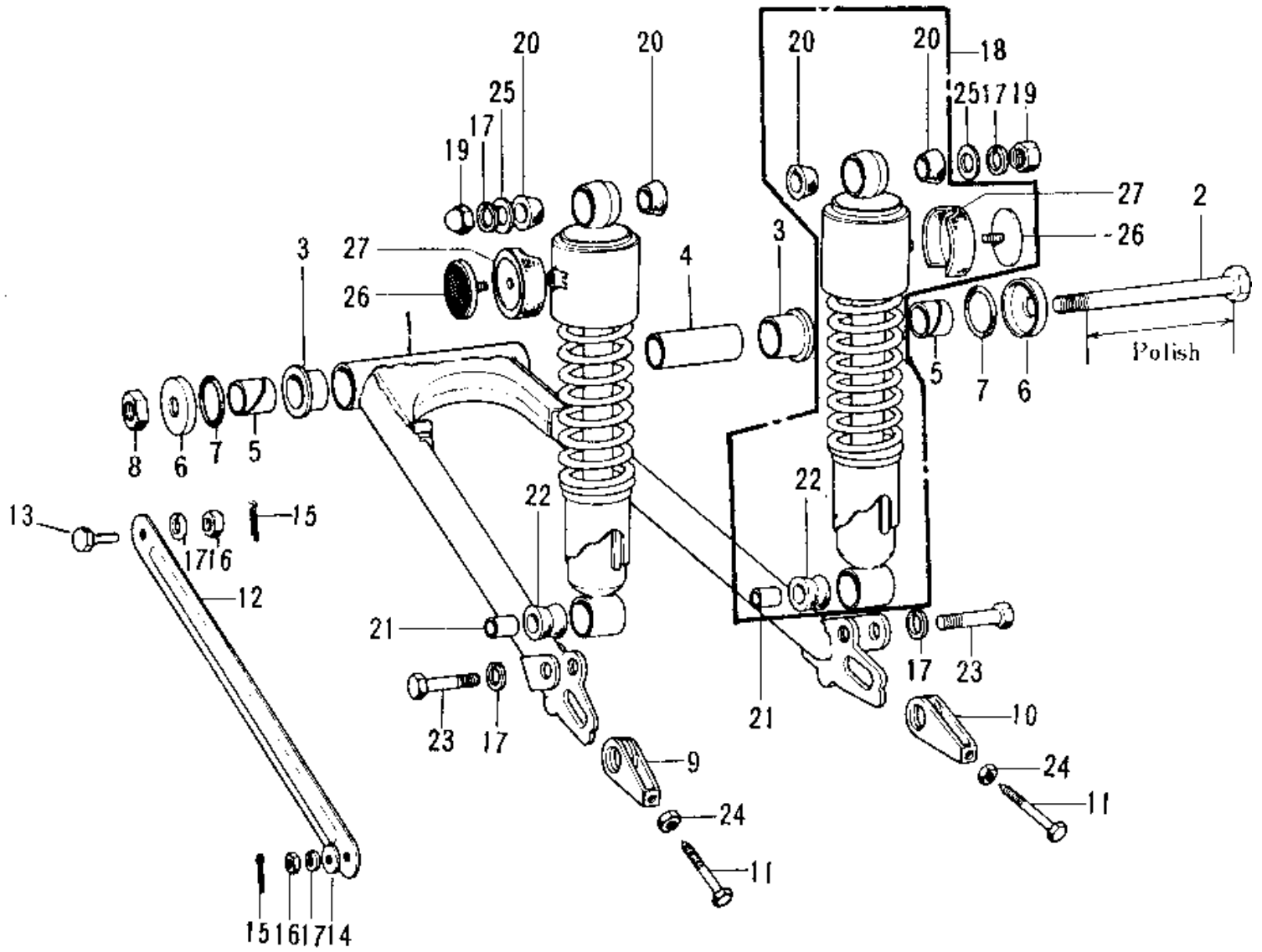


1974 Mach I PARTS DIAGRAM

SWING ARM/SHOCK ABSORBERS (S1-A)



1974 Mach I PARTS LIST

SWING ARM/SHOCK ABSORBERS (S1-A)

ITEM NAME	PART NUMBER	QUANTITY
ARM-SWING (Ref # 1)	33001-039	
SHAFT-SWING ARM PIVOT (Ref # 2)	33032-037	
BUSHING-SWING ARM (Ref # 3)	33033-009	
SLEEVE-SWING ARM, LONG (Ref # 4)	33034-012	
UNAVAILABLE IN PRICE BOOK (Ref # 5)	33032-013	
CAP-SWING ARM (Ref # 6)	33035-004	
"0" RING, 30MM (Ref # 7)	671B2530	
NUT-LOCK, 14MM (Ref # 8)	92019-011	
ADJUSTER CHAIN L.H (Ref # 9)	33040-032	
ADJUSTER CHAIN R.H (Ref # 10)	33040-033	
BOLT, 8X50 (Ref # 11)	92001-1399	
BOLT, 8X50 (Ref # 11)	92001-1399	
TORQUE LINK-RR BRAKE (Ref # 12)	43007-031	
BOLT (Ref # 13)	92003-096	
WASHER PLAIN 10MM (Ref # 14)	410B1000	
PIN, SNAP (Ref # 15)	554A0800	
NUT, 10MM (Ref # 16)	314B1000	
WASHER SPRING 10MM (Ref # 17)	461F1000	
SHOCK ABSBR RR (Ref # 18)	45014-078	
NUT SHOCK ABSORBER (Ref # 19)	92020-003	
BUSH SHCK ABS RUBBER (Ref # 20)	45017-001	
BUSH SHCK ABS PVT SFT (Ref # 21)	45016-003	
BUSHING, SHCK ABS RUB (Ref # 22)	45017-018	
BOLT HEX HEAD 10X35 (Ref # 23)	113N1035	
NUT 8MM (Ref # 24)	312B0800	
WASHER-PL-10.5X26X2.3 (Ref # 25)	92022-044	
REFLECTOR, REFLEX, REAR (Ref # 26)	28001-030	
DAMPER RUBBER-REFLEX (Ref # 27)	28016-002	