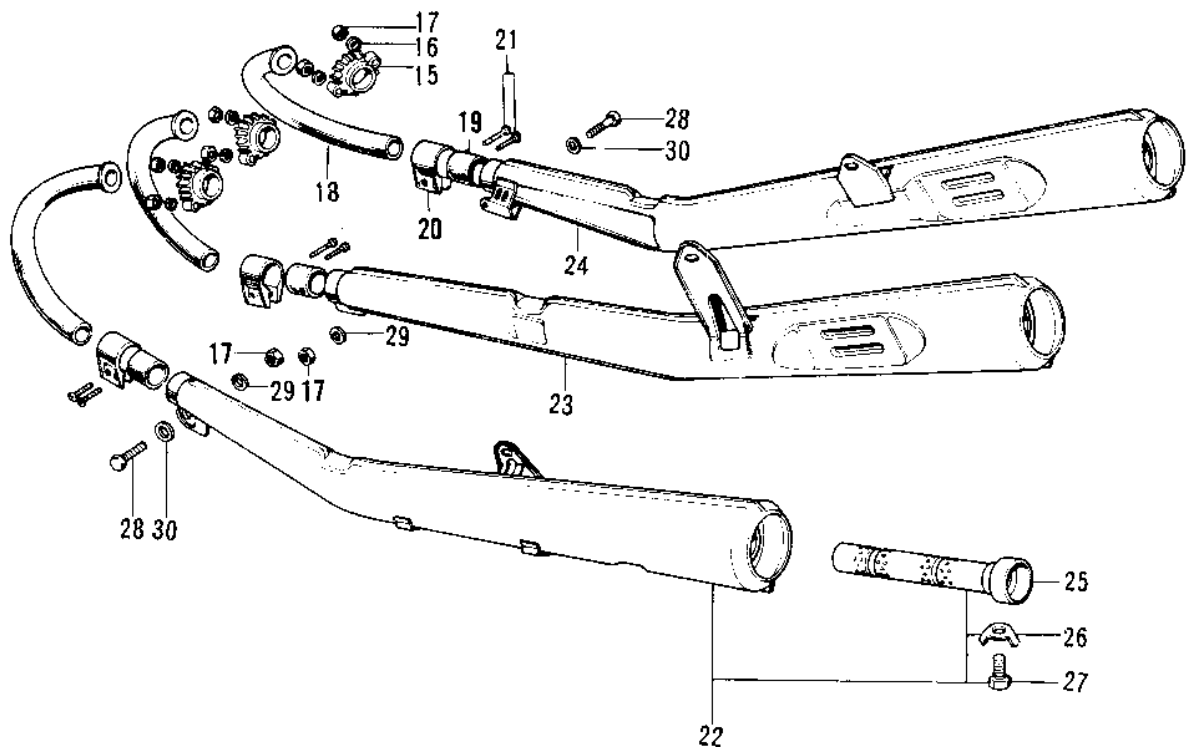
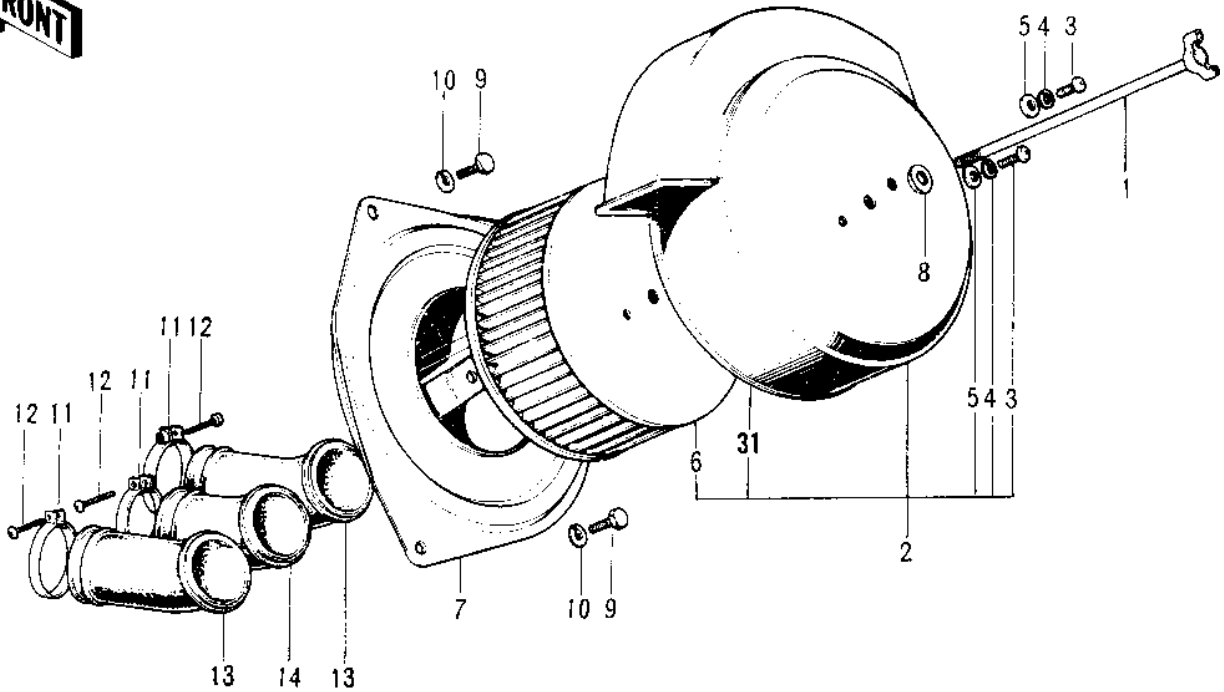


# 1973 Mach I PARTS DIAGRAM

AIR CLEANER/MUFFLERS



# 1973 Mach I PARTS LIST

## AIR CLEANER/MUFFLERS

ITEM NAME	PART NUMBER	QUANTITY
BOLT-AIR CLEANER FIT (Ref # 1)	92003-073	1
AIR CLEANER ASST,BLK (Ref # 2)	11010-057-21	1
FILTER-ASSY-AIR BLAC (Ref # 2)	11010-090-21	1
FILTER-ASSY-AIR BLAC (Ref # 2)	11010-090-21	1
SCREW PAN HEAD 4X8 (Ref # 3)	220B0408	2
WASHER SPRING 4MM (Ref # 4)	461F0400	2
WASHER PLAIN 4MM (Ref # 5)	410B0400	2
ELEMENT,AIR,CLNR (Ref # 6)	11013-026	1
BODY-AIR CLEANER (Ref # 7)	11011-013	1
WASHER-PLAIN (Ref # 8)	92022-021	1
BOLT,6X10 (Ref # 9)	112G0610	3
WASHER SPRING 6MM (Ref # 10)	461F0600	3
CLAMP,AIR INLET PIPE (Ref # 11)	92037-065	3
CLAMP,CARBURETOR HOLD (Ref # 11)	92037-1242	3
SCREW PAN HEAD 6X35 (Ref # 12)	220B0635	3
SCREW-PAN-CROS,6X35,B (Ref # 12)	220C0635	3
PIPE,AIR INLET,LH&RH (Ref # 13)	11015-027	2
PIPE,AIR INLET,CENTER (Ref # 14)	11015-028	1
HOLDER-EXHAUST PIPE (Ref # 15)	18069-038	3
WASHER SPRING 8MM (Ref # 16)	461F0800	6
NUT,8MM (Ref # 17)	311B0800	6
PIPE,EXHAUST (Ref # 18)	18049-063	3
CONNECTOR MUFFLER (Ref # 19)	18043-008	3
HOLDER-MFLR CONECT,CR (Ref # 20)	18044-004-79	3
SCREW PAN HEAD 6X28 (Ref # 21)	220B0628	6
MUFFLER ASSY,L.H (Ref # 22)	18001-146	1
MUFFLER ASSY,L.H (Ref # 22)	18001-146	1
MUFFLER ASSY,L.H (Ref # 22)	18001-146	1
MUFFLER ASSY,CENTER (Ref # 23)	18001-147	1

# 1973 Mach I PARTS LIST

## AIR CLEANER/MUFFLERS

ITEM NAME	PART NUMBER	QUANTITY
MUFFLER ASSY,CENTER (Ref # 23)	18001-147	1
MUFFLER ASSY,CENTER (Ref # 23)	18001-147	1
MUFFLER ASSY,R.H (Ref # 24)	18001-148	1
MUFFLER ASSY,R.H (Ref # 24)	18001-148	1
MUFFLER ASSY,R.H (Ref # 24)	18001-148	1
BAFFLE TUBE (Ref # 25)	18033-050	1
BAFFLE TUBE (Ref # 25)	18033-087	1
WASHER LOCK 6MM (Ref # 26)	92024-016	3
BOLT-UPSET,6X12 (Ref # 27)	112G0612	3
BOLT,8X20 (Ref # 28)	115G0820	2
WASHER SPRING 8MM (Ref # 29)	461F0800	2
WASHER PLAIN 8MM (Ref # 30)	411B0800	2
RUBBER SEAL,CLENR CAP (Ref # 31)	11024-001	1