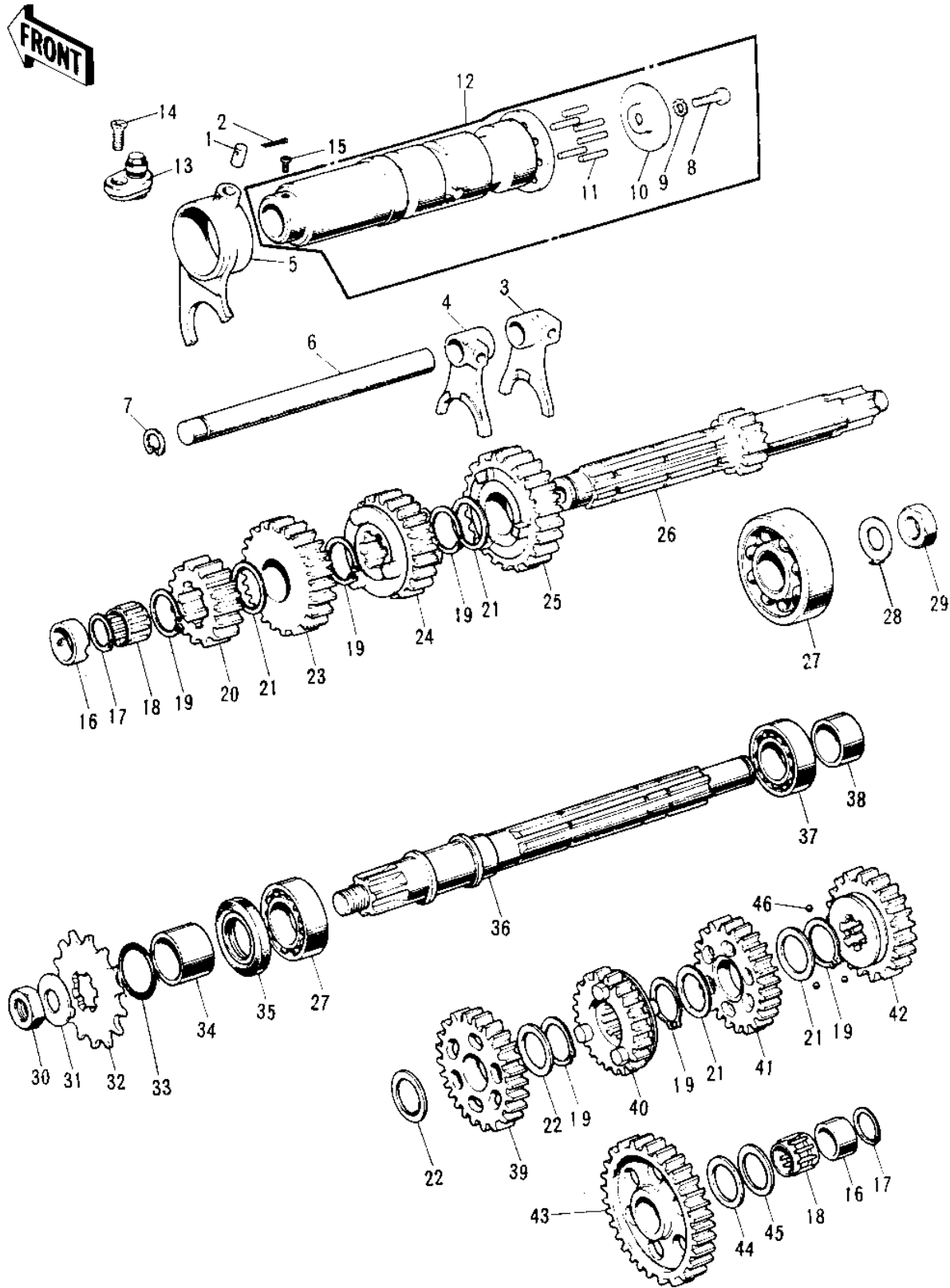


1974 Mach I PARTS DIAGRAM

TRANSMISSION/CHANGE DRUM



1974 Mach I PARTS LIST

TRANSMISSION/CHANGE DRUM

ITEM NAME	PART NUMBER	QUANTITY
DOWEL PIN,8X18 (Ref # 1)	92042-021	
PIN COTTER 3.0X20 (Ref # 5)	550D3020	
SELECTOR FORK,LOW (Ref # 3)	13140-053	
SELECTOR FORK,2ND&3RD (Ref # 4)	13140-054	
FORK-SELECTOR,4TH&TOP (Ref # 5)	13140-037	
ROD-SHIFT (Ref # 6)	13209-006	
CIRCLIP 10MM (Ref # 7)	482J0100	
SCREW PAN HEAD 6X12 (Ref # 8)	220B0612	
SCREW PAN HEAD 6X14 (Ref # 8)	220B0614	
WASHER LOCK 6MM (Ref # 9)	464H0600	
PLATE CHANGE DRUM PIN (Ref # 10)	13142-008	
PIN GEAR CHANGE DRUM (Ref # 11)	92042-014	
DRUM ASSY-GEAR CHANGE (Ref # 12)	13239-003	
SWITCH,NEUTRAL (Ref # 13)	13151-021	
SCREW CNTSNK HD 6X16 (Ref # 14)	221B0616	
UNAVAILABLE IN PRICE BOOK (Ref # 15)	221B0406A	
BUSH TRANSMISSION SFT (Ref # 16)	92028-043	
CIRCLIP 17MM (Ref # 17)	92033-009	
BEARING NEEDLE (Ref # 18)	92046-005	
CIRCLIP,25MM (Ref # 19)	92033-025	
2ND GEAR-DRIVE SHAFT (Ref # 20)	13130-028	
WASHER-LOCK (Ref # 21)	92024-034	
WASHER-LOCK (Ref # 22)	92024-035	
TOP GEAR-DRIVE SHAFT (Ref # 23)	13136-038	
3RD GEAR-DRIVE SHAFT (Ref # 24)	13132-027	
4TH GEAR-DRIVE SHAFT (Ref # 25)	13134-013	
SHAFT-DRIVE (Ref # 26)	13127-034	
BEARING BALL 6205NX3 (Ref # 27)	92045-010	
WASHER-LOCK,14MM (Ref # 28)	92024-046	

1974 Mach I PARTS LIST

TRANSMISSION/CHANGE DRUM

ITEM NAME	PART NUMBER	QUANTITY
NUT 14MM (Ref # 29)	315B1400	
NUT 18MM (Ref # 30)	92015-019	
WASHER,LOCK,18MM (Ref # 31)	92024-067	
ENGINE SPROCKET 14T (Ref # 32)	13144-035	
ENGINE SPROCKET 14T (Ref # 32)	13144-017	
ENGINE SPROCKET 15T (Ref # 32)	13144-030	
ENGINE SPROCKET 15T (Ref # 32)	13144-025	
"O" RING (Ref # 33)	92055-035	
SPACER-ENG SPROCKET (Ref # 34)	92026-1024	
OIL SEAL SC325210 (Ref # 35)	92050-024	
SHAFT,OUTPUT (Ref # 36)	13128-5004	
BEARING BALL #6005 (Ref # 37)	601B6005	
COLLAR (Ref # 38)	92027-135	
2ND GEAR-OUTPUT SHAFT (Ref # 39)	13131-034	
TOP GEAR-OUTPUT SHAFT (Ref # 40)	13137-022	
3RD GEAR-OUTPUT SHAFT (Ref # 41)	13133-027	
4TH GEAR-OUTPUT SHAFT (Ref # 42)	13135-017	
LOW GEAR-OUTPUT SHAFT (Ref # 43)	13129-038	
WASHER THRUST (Ref # 44)	92026-021	
WASHER 17MM (Ref # 45)	92022-075	
BALL STEEL 5/32' (Ref # 46)	600A0500	