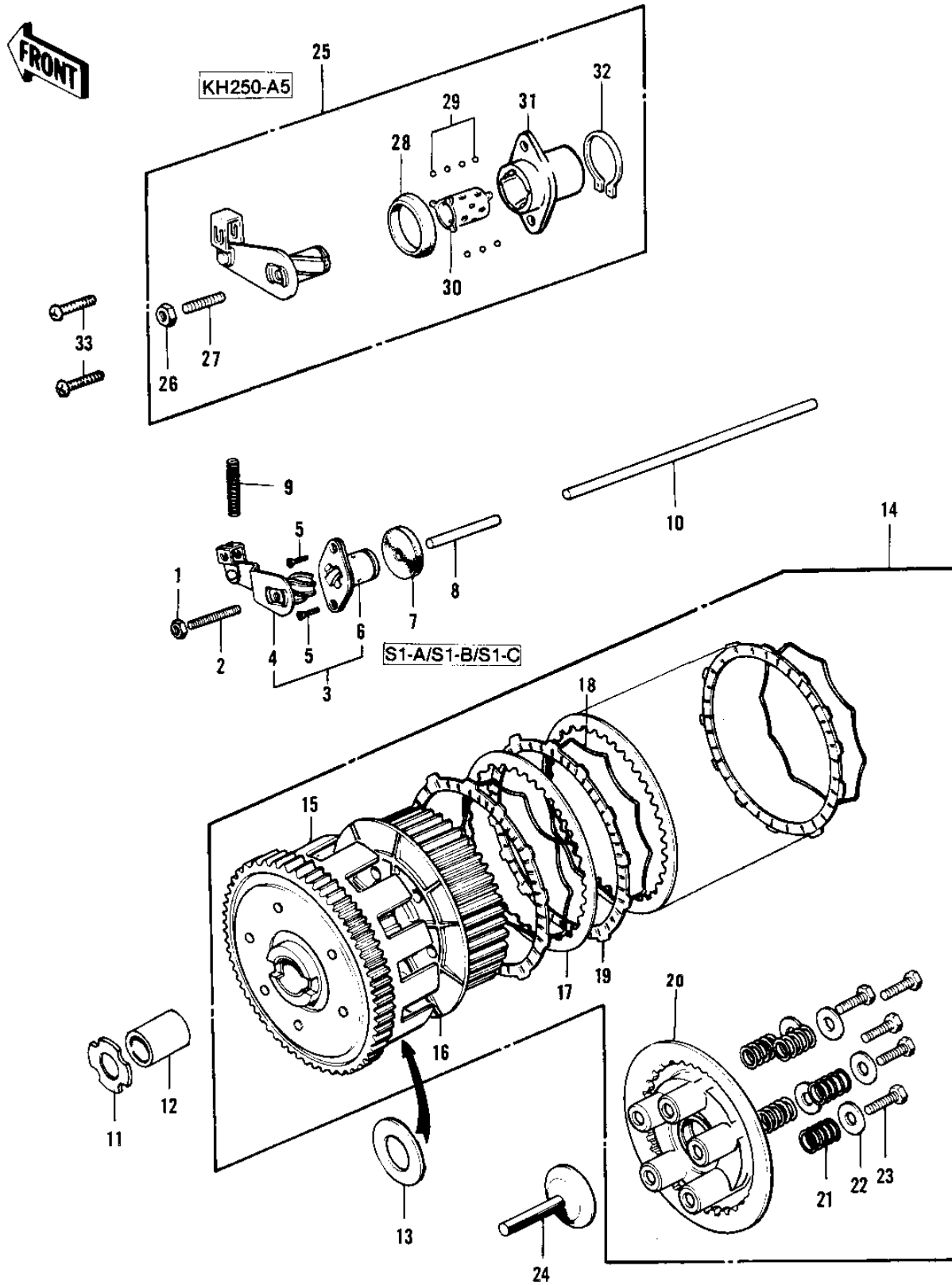


# 1974 Mach I PARTS DIAGRAM

CLUTCH



# 1974 Mach I PARTS LIST

## CLUTCH

ITEM NAME	PART NUMBER	QUANTITY
NUT 6MM (Ref # 1)	311B0600	
SCREW SLOTTED (Ref # 2)	291Z0622	
SCREW SLOTTED (Ref # 2)	291Z0625	
RELEASE ASSY,CLUTCH (Ref # 3)	13231-010	
RELEASE ASSY,CLUTCH (Ref # 4)	13231-010	
INNER,CLUTCH RELEASE (Ref # 4)	13102-017	
SCREW CNTSNK HD 6X16 (Ref # 5)	221B0616	
RELEASE ASSY,CLUTCH (Ref # 6)	13231-010	
OUTER,CLUTCH RELEASE (Ref # 6)	13118-008	
OIL SEAL TC7297 (Ref # 7)	92050-040	
ROD CLUTCH PUSH SHORT (Ref # 8)	13116-010	
SPRING-CLUTCH RELEASE (Ref # 9)	92081-096	
ROD-CLUTCH PUSH,LONG (Ref # 10)	13116-019	
WASHER THRUST (Ref # 11)	92022-119	
BUSH CLUTCH (Ref # 12)	92028-045	
WASHER-PLAIN,20MM (Ref # 13)	92022-189	
CLUTCH-ASSY (Ref # 14)	13081-1022	
CLUTCH-ASSY (Ref # 14)	13081-1022	
HOUSING-CLUTCH (Ref # 15)	13095-032	
HUB,CLUTCH (Ref # 16)	13087-033	
PLATE CLUTCH STEEL (Ref # 17)	13089-003	
RING-CLUTCH STEEL (Ref # 18)	13229-002	
PLATE-FRICTION (Ref # 19)	13088-1015	
PLATE-CLUTCH SPRING (Ref # 20)	13187-004	
SPRING-CLUTCH (Ref # 21)	92081-080	
WASHER-PLAIN,5MM (Ref # 22)	92022-167	
BOLT,5X18 (Ref # 23)	92003-078	
PUSHER-CLTCH SPRG PLT (Ref # 24)	13116-016	
RELEASE ASSY,CLUTCH (Ref # 25)	13231-1001	

# 1974 Mach I PARTS LIST

## CLUTCH

ITEM NAME	PART NUMBER	QUANTITY
NUT 6MM (Ref # 26)	311B0600	
SCREW SLOTTED (Ref # 27)	291Z0625	
OIL SEAL (Ref # 28)	92056-007	
BALL,STEEL,1/8" (Ref # 29)	600A0400	
RETAINER (Ref # 30)	13197-006	
OUTER,CLUTCH RELEASE (Ref # 31)	13118-015	
CIRCLIP 15MM (Ref # 32)	480J1500	
SCREW PAN HEAD 6X16 (Ref # 33)	220B0616	