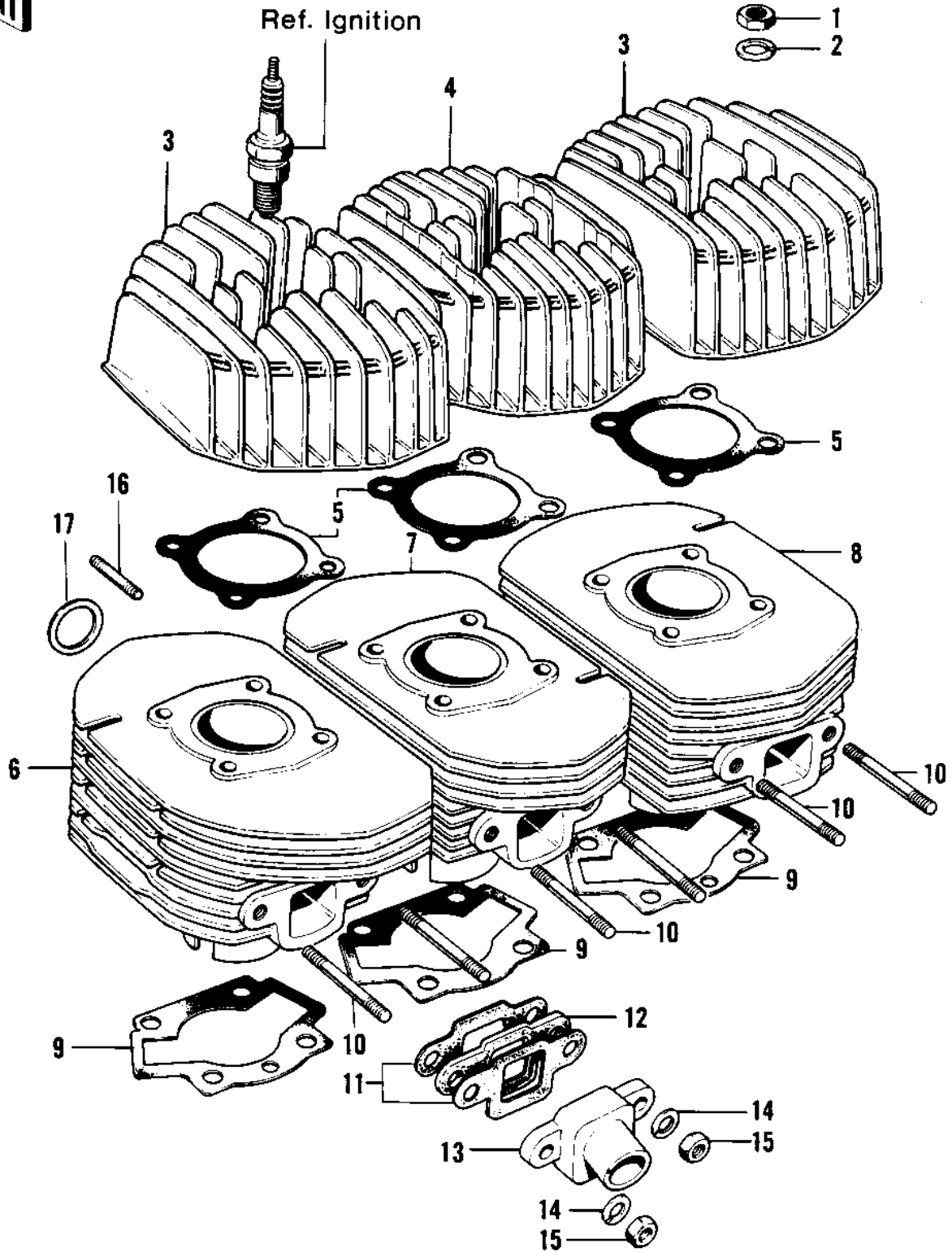


1974 Mach I PARTS DIAGRAM

CYLINDER HEADS/CYLINDERS



1974 Mach I PARTS LIST

CYLINDER HEADS/CYLINDERS

ITEM NAME	PART NUMBER	QUANTITY
NUT,8MM (Ref # 1)	311B0800	
WASHER SPRING 8MM (Ref # 2)	461F0800	
CYLINDER HEAD,L.H&R.H (Ref # 3)	11001-093	
CYLINDER HEAD,CENTER (Ref # 4)	11001-094	
GASKET,CYLINDER HEAD (Ref # 5)	11004-047	
CYLINDER,L.H,BARREL (Ref # 6)	11005-1026	
CYLINDER,L.H,BARREL (Ref # 6)	11005-1026	
CYLINDER,CENTER (Ref # 7)	11005-095	
CYLINDER,R.H (Ref # 8)	11005-096	
GASKET-CYLINDER BASE (Ref # 9)	11009-027	
STUD 8X20 (Ref # 10)	172G0820	
GASKET,AIR INLET (Ref # 11)	16062-015	
INSULATOR,HEAT (Ref # 12)	16061-013	
PIPE, AIR INLET (Ref # 13)	16060-014	
WASHER SPRING 8MM (Ref # 14)	461F0800	
NUT,8MM (Ref # 15)	311B0800	
STUD 8X30 (Ref # 16)	172G0830	
STUD,8X35 (Ref # 16)	92004-1009	
GASKET,EXHAUST PIPE (Ref # 17)	11009-1992	
GASKET,EXHAUST PIPE (Ref # 17)	11009-1992	