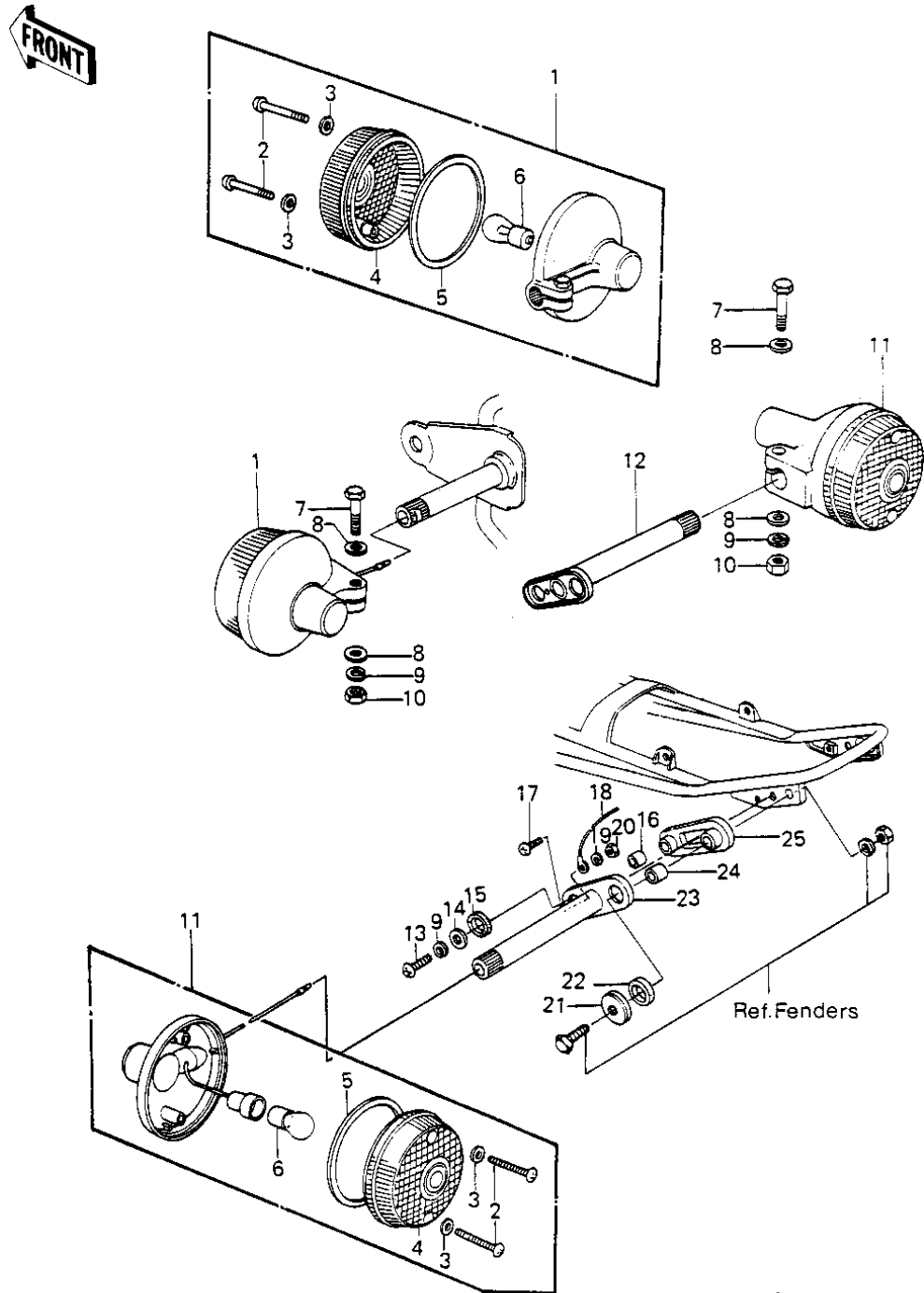


1977 KE250-B1 PARTS DIAGRAM

TURN SIGNALS



1977 KE250-B1 PARTS LIST

TURN SIGNALS

ITEM NAME	PART NUMBER	QUANTITY
LAMP ASSY,TURN SIGNAL (Ref # 1)	23040-038	1
SCREW-PAN HEAD,4X20 (Ref # 2)	220E0420A	1
WASHER-PLAIN,4MM (Ref # 3)	23058-002	1
LENS,TURN SIGNAL LAMP (Ref # 3)	23048-1001	1
GASKET-SIG LAMP LENS (Ref # 5)	23050-003	1
BULB,6V 21CP (Ref # 6)	92069-056	1
BOLT-UPSET (Ref # 7)	112G0630	1
WASHER PLAIN 6MM (Ref # 8)	411B0600	1
WASHER SPRING 6MM (Ref # 9)	461F0600	1
NUT 6MM (Ref # 10)	311B0600	1
LAMP-REAR TURN SIGNAL (Ref # 11)	23040-033	1
BRACKET,REAR SIG,R.H (Ref # 12)	23051-055	1
SCREW PAN HEAD 6X25 (Ref # 13)	220B0625	1
WASHER,PLAIN,6MM (Ref # 14)	92022-286	1
DAMPER RUBBER,SIGNAL (Ref # 15)	92075-310	1
COLLAR (Ref # 16)	92027-241	1
SCREW PAN HEAD 3X8 (Ref # 17)	220B0308	1
WIRE,LEAD,TURN SIGNAL (Ref # 18)	26011-066	1
WASHER SPRING 3MM (Ref # 19)	461F0300	1
NUT-HEX (Ref # 20)	311B0300	1
CAP,REAR TURN SIGNAL (Ref # 21)	92102-018	1
DAMPER RUBBER,SIGNAL (Ref # 22)	92075-309	1
BRACKET,REAR SIG,L.H (Ref # 23)	23051-056	1
COLLAR,8.4X12X12 (Ref # 24)	92027-286	1
DAMPER RUBBER,SIGNAL (Ref # 25)	92075-308	1