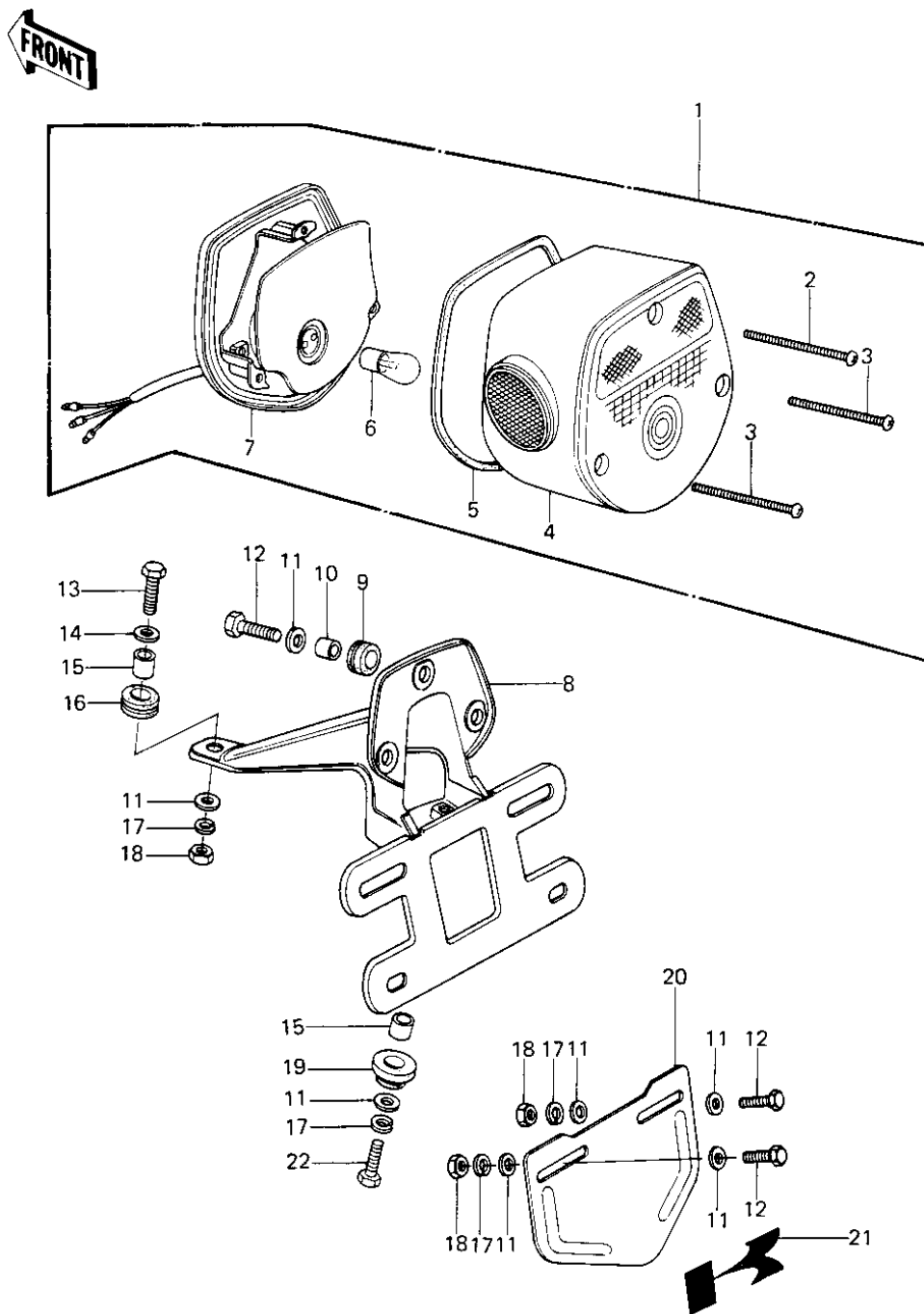


1977 KE250-B1 PARTS DIAGRAM

TAILLIGHT



1977 KE250-B1 PARTS LIST

TAILLIGHT

ITEM NAME	PART NUMBER	QUANTITY
TAIL LAMP UNIT (Ref # 1)	23025-1030	1
SCREW (Ref # 2)	220R0455	1
SCREW PAN HEAD 4X50 (Ref # 3)	220E0450	1
LENS,TAIL LAMP (Ref # 4)	23026-028	1
GASKET,TAIL LAMP LENS (Ref # 5)	23028-019	1
BULB,60-32/3CP (Ref # 6)	92069-074	1
CASE,TAIL LAMP (Ref # 7)	23027-037	1
BRACKET,LICENSE PLATE (Ref # 8)	23036-056	1
DAMPER RUBBER (Ref # 9)	92075-076	1
COLLAR,6.8X10X8.5 (Ref # 10)	92027-129	1
WASHER 6.5X20X1.6T (Ref # 11)	92022-125	1
BOLT-UPSET,6X20 (Ref # 12)	112G0620	1
BOLT-UPSET,6X20 (Ref # 13)	110B0628	1
WASHER,PLAIN,6MM (Ref # 14)	92022-286	1
COLLAR (Ref # 15)	92027-241	1
DAMPER RUBBER,RR FENR (Ref # 16)	92075-209	1
WASHER SPRING 6MM (Ref # 17)	461F0600	1
NUT 6MM (Ref # 18)	311B0600	1
DAMPER RUBBER (Ref # 19)	92075-112	1
BRACKET,LICENSE PLATE (Ref # 20)	11034-1117	2
EMBLEM,LICNSE PLT BKT (Ref # 21)	56018-176	1
BOLT-UPSET (Ref # 22)	112G0625	1