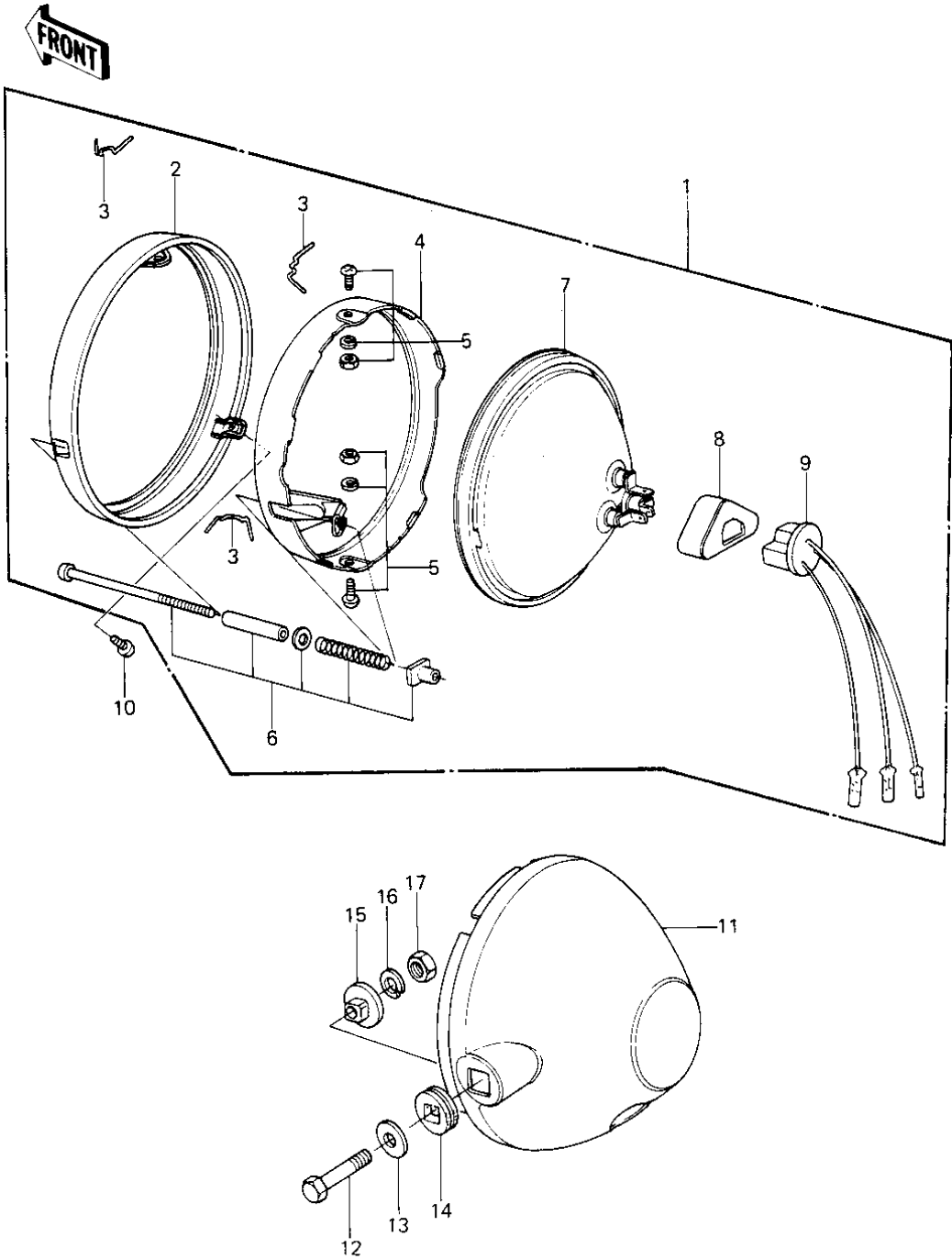


1977 KE250-B1 PARTS DIAGRAM

HEADLIGHT



1977 KE250-B1 PARTS LIST

HEADLIGHT

ITEM NAME	PART NUMBER	QUANTITY
LIGHT UNIT,HEAD (Ref # 1)	23003-026	1
RIM,HEAD LAMP (Ref # 2)	23006-042	1
CLAMP,HEAD LAMP LENS (Ref # 3)	23009-015	1
RETAINER,SEALED BEAM (Ref # 4)	23072-002	1
SCREW SET,LENS UNIT (Ref # 5)	23013-007	1
SCREW ASSY,FOCUS AJST (Ref # 6)	23013-5001	1
SEALED BEAM UNIT (Ref # 7)	23007-073	1
COVER,HD LAMP SOCKET (Ref # 8)	23081-001	1
SOCKET ASSY,HD LIGHT (Ref # 9)	23008-044	1
SCREW,PAN HEAD,5X14 (Ref # 10)	23019-025	1
BODY,HEAD LAMP,BLACK (Ref # 11)	23005-049-21	1
BOLT,HEX HEAD,10X30 (Ref # 12)	92007-041	1
WASHER-PLAIN,10MM (Ref # 13)	411D1000	1
DAMPER RUBBER (Ref # 14)	23066-011	1
COLLAR (Ref # 15)	23052-005	1
WASHER SPRING 10MM (Ref # 16)	461F1000	1
NUT,10MM (Ref # 17)	314B1000	1