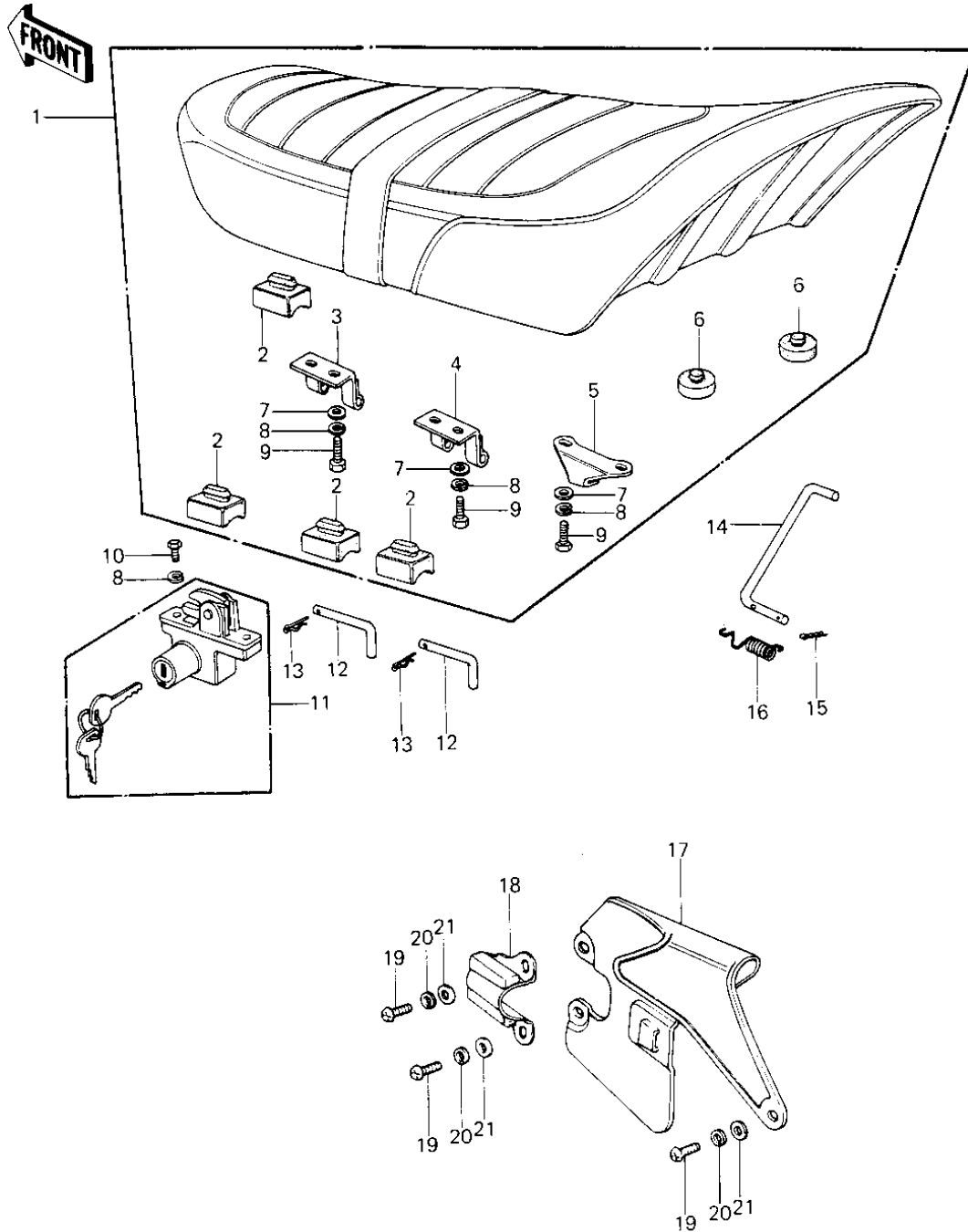


1977 KE250-B1 PARTS DIAGRAM

SEAT/CHAIN COVER



1977 KE250-B1 PARTS LIST

SEAT/CHAIN COVER

| ITEM NAME | PART NUMBER | QUANTITY |
|---------------------------------|--------------|----------|
| SEAT ASSY,DUAL (Ref # 1) | 53002-1013 | 2 |
| DAMPER RUBBER,SEAT (Ref # 2) | 92075-216 | 1 |
| HINGE,BLACK (Ref # 3) | 53009-017-10 | 1 |
| HINGE B (Ref # 4) | 53009-018 | 1 |
| HOOK,SEAT (Ref # 5) | 53008-035 | 1 |
| DAMPER RUBB DUAL SEAT (Ref # 6) | 92075-023 | 1 |
| DAMPER,SEAT,11M/M (Ref # 6) | 92075-1043 | 1 |
| WASHER PLAIN 6MM (Ref # 7) | 411B0600 | 2 |
| WASHER, SPRING, 6MM (Ref # 8) | 461F0600 | 2 |
| BOLT-UPSET 6X14 (Ref # 9) | 112B0614 | 1 |
| BOLT-UPSET,6X16 (Ref # 10) | 112G0616 | 1 |
| LOCK ASSY,SEAT (Ref # 11) | 27016-5024 | 1 |
| PIN,DUAL SEAT PIVOT (Ref # 12) | 92043-1007 | 1 |
| COTTER PIN (Ref # 13) | 92041-003 | 1 |
| STAND,SEAT (Ref # 14) | 53054-009 | 1 |
| PIN COTTER 2.0X15 (Ref # 15) | 550D2015 | 1 |
| SPRING,SEAT HOOK (Ref # 16) | 53055-001 | 1 |
| CASE-CHAIN (Ref # 17) | 36014-067 | 1 |
| GUARD,CHAIN (Ref # 18) | 55020-1003 | 1 |
| SCREW PAN HEAD 6X16 (Ref # 19) | 220B0616 | 1 |