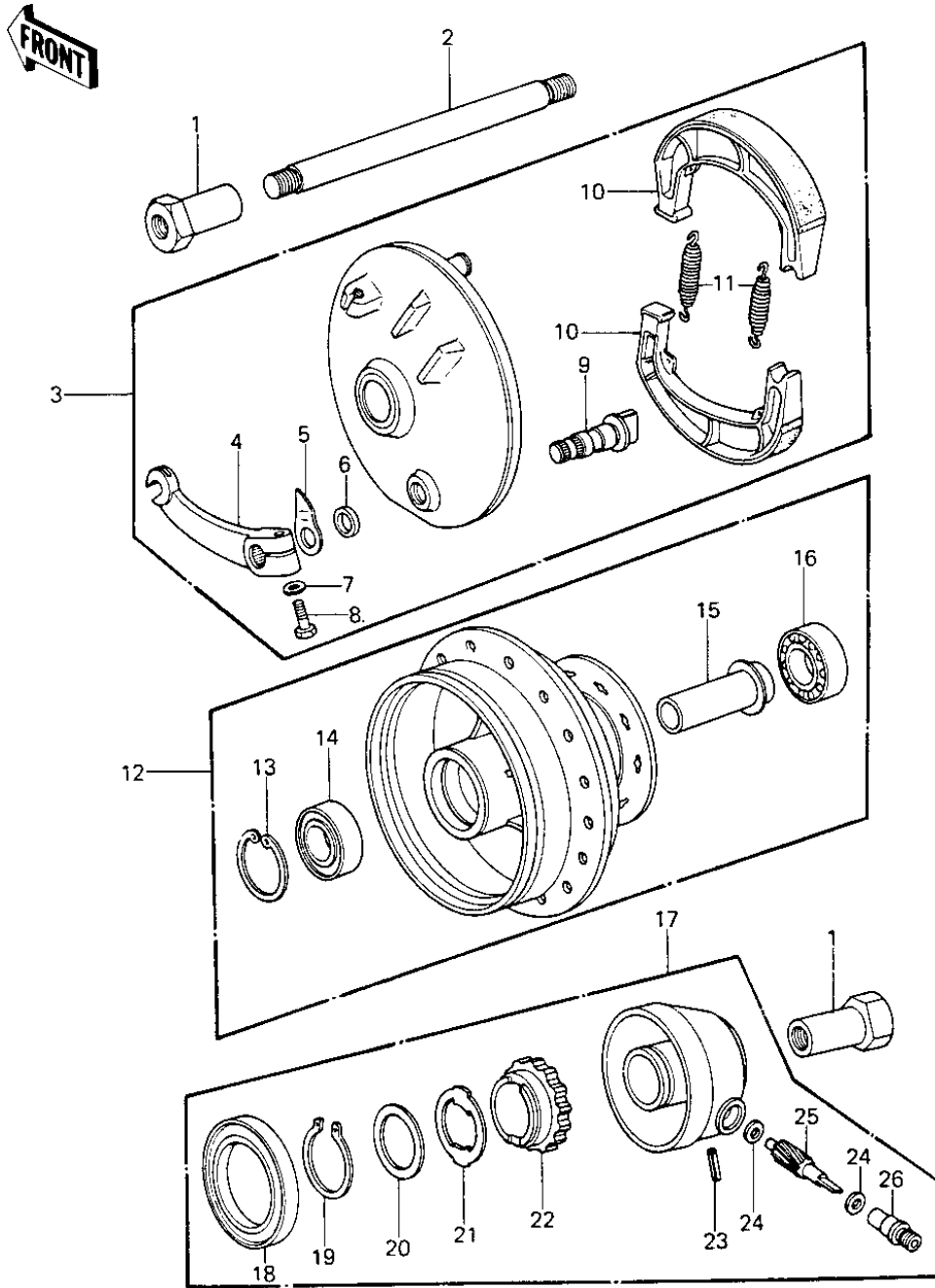


## 1977 KE250-B1 PARTS DIAGRAM

FRONT HUB/BRAKE



## 1977 KE250-B1 PARTS LIST

### FRONT HUB/BRAKE

ITEM NAME	PART NUMBER	QUANTITY
COLLAR,FRONT AXLE (Ref # 1)	41069-031	1
AXLE,FRONT (Ref # 2)	41068-048	1
PANEL-ASY,FR BRK (Ref # 3)	41035-082	1
LEVER,BRAKE CAM (Ref # 4)	41053-028	1
INDICATOR,FR BRK SHOE (Ref # 5)	41085-017	1
DUST SHIELD BRAKE CAM (Ref # 6)	41051-001	1
WASHER PLAIN 6MM (Ref # 7)	410B0600	1
BOLT-UPSET (Ref # 8)	112G0625	1
CAM SHAFT,BRAKE (Ref # 9)	42026-027	1
SHOE-BRAKE (Ref # 10)	41048-1068	1
SPRING-BRAKE SHOE (Ref # 11)	42020-004	1
DRUM-ASSY,FR BRK (Ref # 12)	41034-052	1
CIRCLIP,42MM (Ref # 13)	92033-1041	1
BEARING,FRONT DRUM (Ref # 14)	92045-033	1
COLLAR,FRONT HUB BRG (Ref # 15)	41039-037	1
BEARING BALL #6302 (Ref # 16)	601B6302	1
GEAR BOX ASSY (Ref # 17)	41078-011	1
OIL SEAL,#50659 (Ref # 18)	654A506509	1
CIRCLIP 24MM (Ref # 19)	480J2400	1
WASHER,THRUST (Ref # 20)	41065-005	1
RECEIVER,SPEEDOMETER (Ref # 21)	41064-015	1
GEAR,SPEEDOMETER (Ref # 22)	41059-027	1
PIN,SPRING (Ref # 23)	41082-001	1
WASHER THRST SPD PINI (Ref # 24)	41063-001	1
PINION,SPEEDOMETER (Ref # 25)	41060-015	1
BUSH,SPEEDMETER CABLE (Ref # 26)	41062-005	1